

- Converts LVTTTL to WTB Signals
- Converts WTB to LVTTTL Signals
- Supports all Modes of WTB Operation
- Manual or Remote Configuration
- Internally Terminated And Thru Line Versions
- Supports All 8 LXI WTB Channels
- Ideal Solution For Adapting non LXI Triggering to LXI

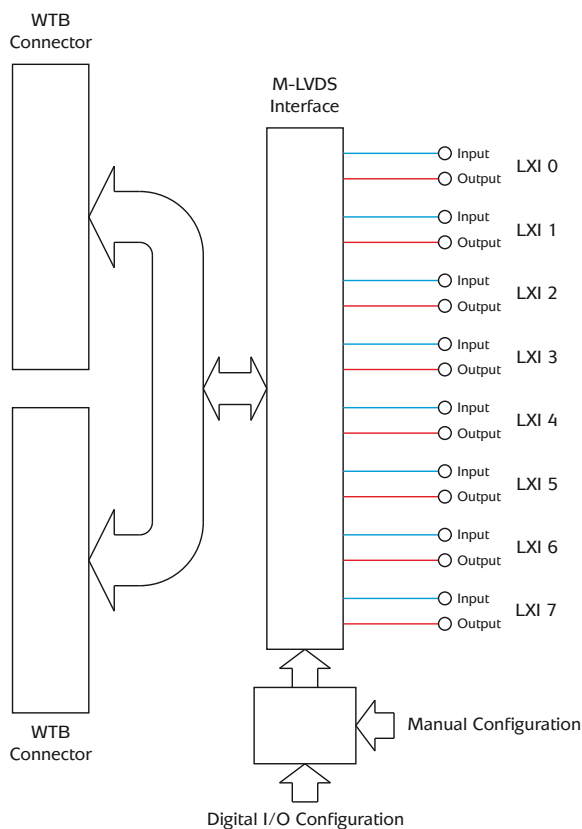
The 60-982 provides an effective method of adapting trigger signals from bench instruments to the LXI Wired Trigger Bus signalling standard. The 60-982 converts M-LVDS signals on the WTB to Low Voltage TTL signals and converts Low Voltage TTL signals to M-LVDS. All 8 channels of the LXI WTB are supported in a single adaptor.

Each channel of the WTB can be configured either manually or through a digital I/O to be Disabled, Driven or in Wired OR mode. The interface is fully compatible with the LXI WTB standard and counts as one node on the bus.

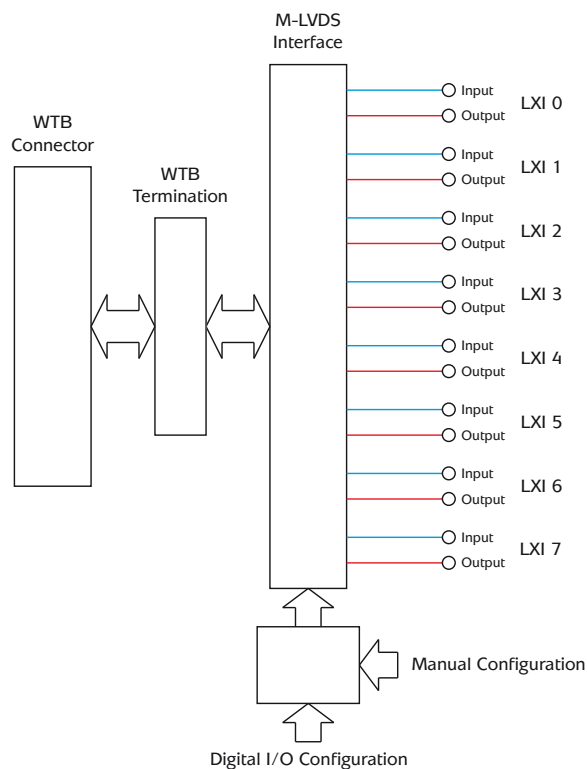
The adaptor is available in two versions, one having a thru line connection for the WTB and the second including a terminator.

The 60-982 is an ideal solution to integrating products with dedicated trigger facilities, such as oscilloscopes, spectrum analyzers or signal generators, into LXI systems using the WTB.

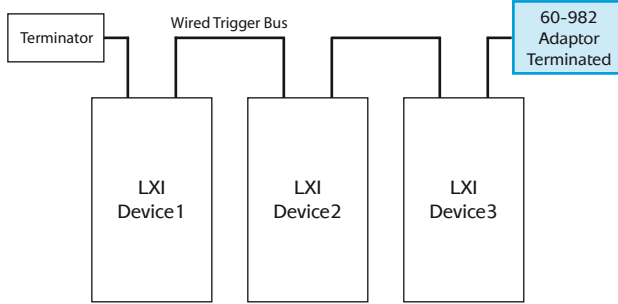
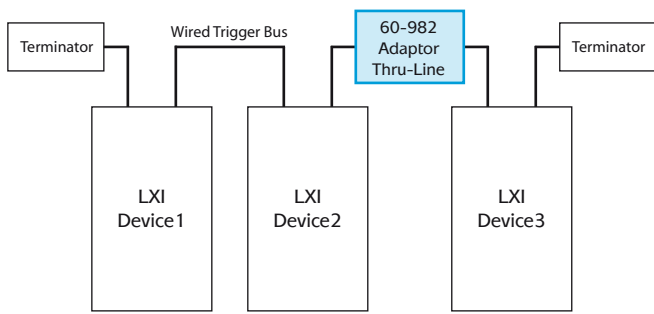
Power for the 60-982 is provided by an external AC/DC adaptor or DC power supply.



Functional Diagram for 60-982-001
With Thru Line Connection for WTB



Functional Diagram for 60-982-002
With Internal Termination



Typical application for the Thru Line and Terminated versions of the 60-982 LXI WTB Adapter

Specification

LXI WTB Connectors: 25-way Micro D connectors conformant to LXI standard. 60-982-001 uses one connector. 60-982-002 uses two connectors with thru line connections to match to WTB.

LXI WTB Termination: Included in 60-982-001 conformant to LXI Standard. WTB must be externally terminated for 60-982-002.

I/O Signals: Inputs and outputs on SMB connectors. LVTTTL (3.3V) signal levels.
Input impedance: 10kΩ nominal
Output impedance: 50Ω nominal
Minimum load impedance: 50Ω
Minimum recommended pulse width is 10ns.

LXI WTB Loading Equivalent to the load of one LXI Device.

LXI WTB Mode: Each channel selectable to be Disabled, Driven, or Wired OR through manual configuration with DIP switches. Can be remotely controlled through digital I/O port on 25-way D-type connector.

Power Requirements: Requires 6V DC at 500mA. Supplied with universal AC/DC Adaptor, 500 mA complete with UK, USA and European supply adaptors.

Physical Size: 100mm long
84mm wide
30mm high

Safety & CE Compliance

All modules are fully CE compliant and meet applicable EU directives: Low-voltage safety EN61010-1:2001, EMC Immunity EN61000-6-1:2001, Emissions EN55011:1998.

Product Order Codes

LXI WTB Adaptor, Thru Line	60-982-001
LXI WTB Adaptor, Terminated	60-982-002

Mating Connectors & Cabling

Examples of cabling available for the 60-982 are:

40-977-511-1M Cable, 50Ω SMB, Plug to Plug, 1 Meter Length.

40-978-701-1M Cable, 50Ω SMB Plug to 50Ω BNC Plug, 1 Meter Length.

Please refer to the Pickering Interfaces “**Interconnection Solutions**” catalog for a full list of connector/cabling options, including drawings, photos and specifications. This is available in either print or as a download.

Latest Details

Please refer to our Web Site for Latest Product Details.

www.pickeringtest.com

Operating/Storage Conditions

Operating Conditions

Operating Temperature: 0°C to 55°C
Humidity: Up to 95% non-condensing
Altitude: 5000m

Storage and Transport Conditions

Storage Temperature: -20°C to +75°C
Humidity: Up to 95% non-condensing
Altitude: 15000m

LXI is the new standard for Ethernet control of instrumentation. It is the natural successor to GPIB (IEEE-488) incorporating LAN connectivity, full web browser support, IVI drivers and advanced triggering capability.



Pickering Interfaces is a Board level member of the LXI Consortium (www.lxistandard.org) and together with Agilent Technologies was the first company to release a fully compliant LXI device. Pickering is developing a large range of products conforming to the LXI standard and is constantly introducing new products in response to specific user demand. For further information go to www.pickeringtest.com/lxi