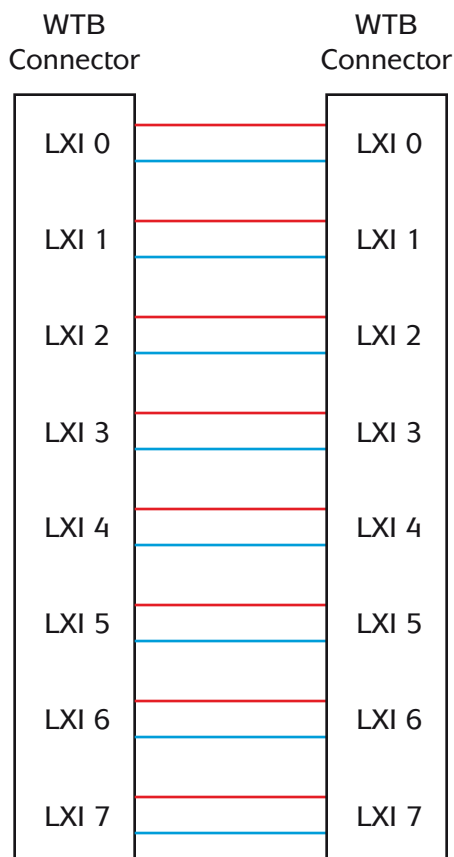


- Simple Method of Joining LXI Wired Trigger Bus (WTB) Cables
- Extend Cable Reach With Minimum Disruption
- Accurate Transmission Line Match
- Compatible With LXI Specification

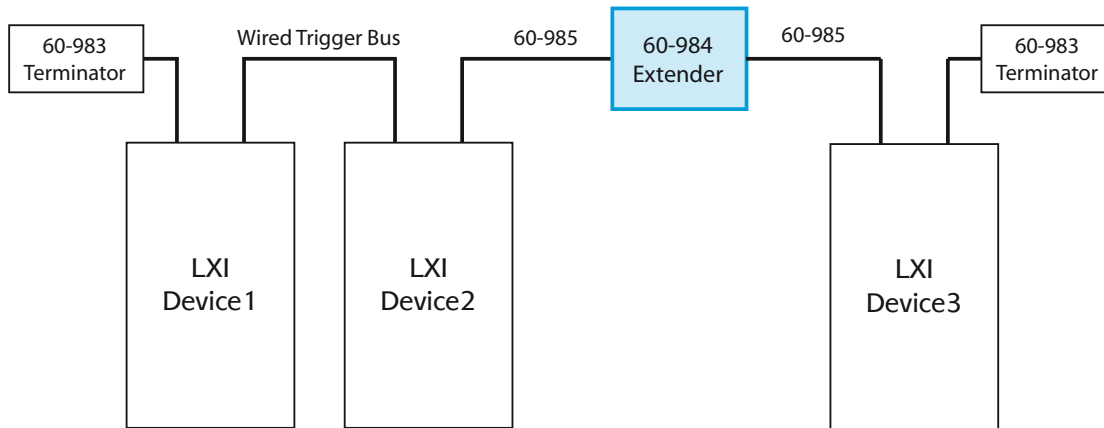


Functional Diagram for the 60-984 LXI WTB Extender

The 60-894 provides a simple and effective method of joining two LXI WTB bus cables together to extend the length of available cables. It is an ideal solution for cable extension where users need to experiment with different cabling solutions without having to totally replace the cables in the system.

The 60-894 provides mating connectors for the WTB on each end connected together by a set of accurate differential transmission lines to avoid additional reflections on the cable. The 60-894 is entirely passive and is compatible with the LXI specification.





Typical application for the 60-984 WTB Extender

Specification

Connectors:	25-way Micro D connectors mating with LXI WTB cables.
WTB Loading:	Does not count as an LXI device on the WTB.
Power Requirements:	None, passive device.
Physical Size:	70mm long 60mm wide 30mm high
LXI Conformance:	The 60-984 is compatible with the LXI WTB standard.

Operating/Storage Conditions

Operating Conditions

Operating Temperature:	0°C to 55°C
Humidity:	Up to 95% non-condensing
Altitude:	5000m

Storage and Transport Conditions

Storage Temperature:	-20°C to +75°C
Humidity:	Up to 95% non-condensing
Altitude:	15000m

Safety & CE Compliance

All modules are fully CE compliant and meet applicable EU directives: Low-voltage safety EN61010-1:2001, EMC Immunity EN61000-6-1:2001, Emissions EN55011:1998.

Product Order Codes

LXI Wired Trigger Bus Extender	60-984-001
--------------------------------	-------------------

Latest Details

Please refer to our Web Site for Latest Product Details.
www.pickeringtest.com

LXI is the new standard for Ethernet control of instrumentation. It is the natural successor to GPIB (IEEE-488) incorporating LAN connectivity, full web browser support, IVI drivers and advanced triggering capability.



Pickering Interfaces is a Board level member of the LXI Consortium (www.lxistandard.org) and together with Agilent Technologies was the first company to release a fully compliant LXI device. Pickering is developing a large range of products conforming to the LXI standard and is constantly introducing new products in response to specific user demand. For further information go to www.pickeringtest.com/lxi

© Copyright (2006) Pickering Interfaces. All Rights Reserved
Pickering Interfaces maintains a commitment to continuous product development, consequently we reserve the right to vary from the description given in this data sheet.