

- Available as PXI or PXIe Modules
- Wide Frequency Range 10 MHz to 8 GHz
- High Performance Solid State Switch
- Dual, Quad, Hex and Octal Versions
- Automatic Termination of Unused Channels
- +36 dBm Input Power Handling
- Excellent Crosstalk & Isolation
- SMA Coaxial Connectors
- VISA, IVI & Kernel Drivers Supplied for Windows
- PXI Versions Supported in PXI or LXI Chassis
- 3 Year Warranty

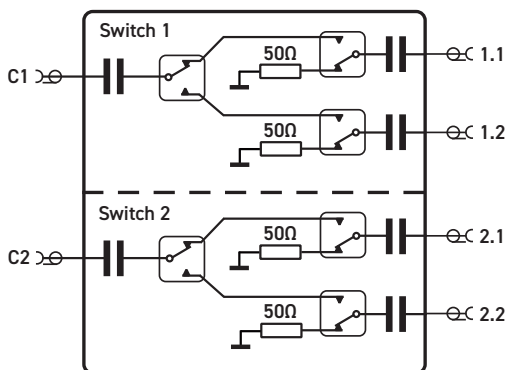


The 40-880B (PXI) and 42-880B (PXIe) are 50 Ω SPDT RF switches with automatic termination of unused channels and operation to beyond 8 GHz. They are available in dual format in a 1 slot PXI or PXIe module, quad format in a two slot module or hex and octal formats in a three slot module.

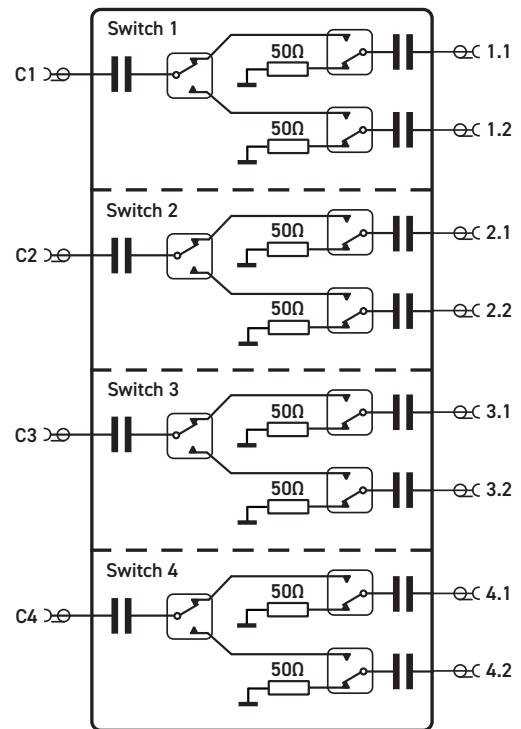
The 40/42-880B has low insertion loss and VSWR through the use of high performance solid state switches. These ensure a long service life with no wear out mechanism, making the module ideal for ATE systems requiring frequent and fast operation. The switches can handle RF power up to +36 dBm CW and +38 dBm pulsed and is able to sustain frequent hot switching without performance degradation.

The module is fitted with SMA connectors, ensuring compatibility with commonly used cables.

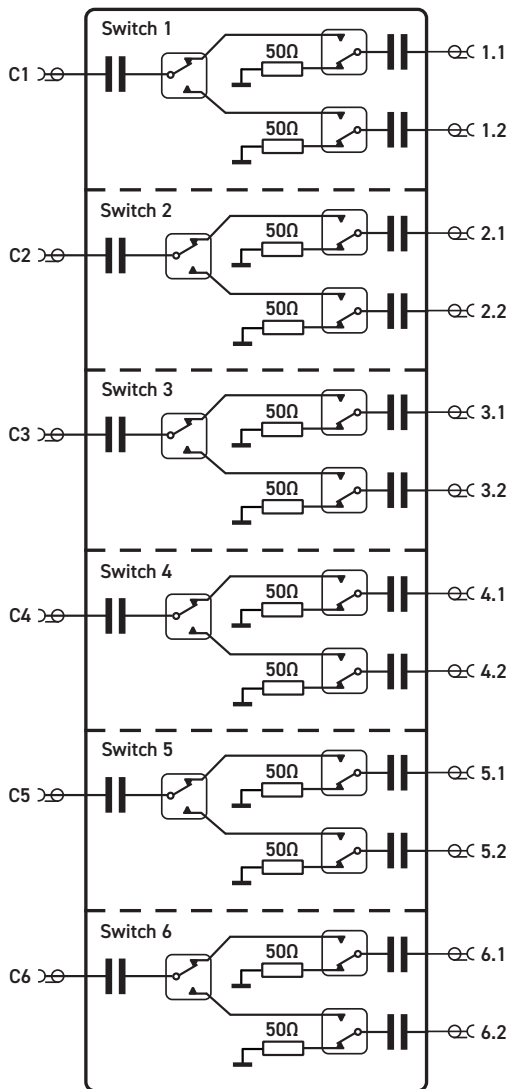
The 40/42-880B is supplied with drivers that allow support in all popular software environments. The PXI version can be supported in all Pickering's LXI Modular Switching chassis, allowing the use of a PXI or LAN controlled switching solution with the same high levels of performance.



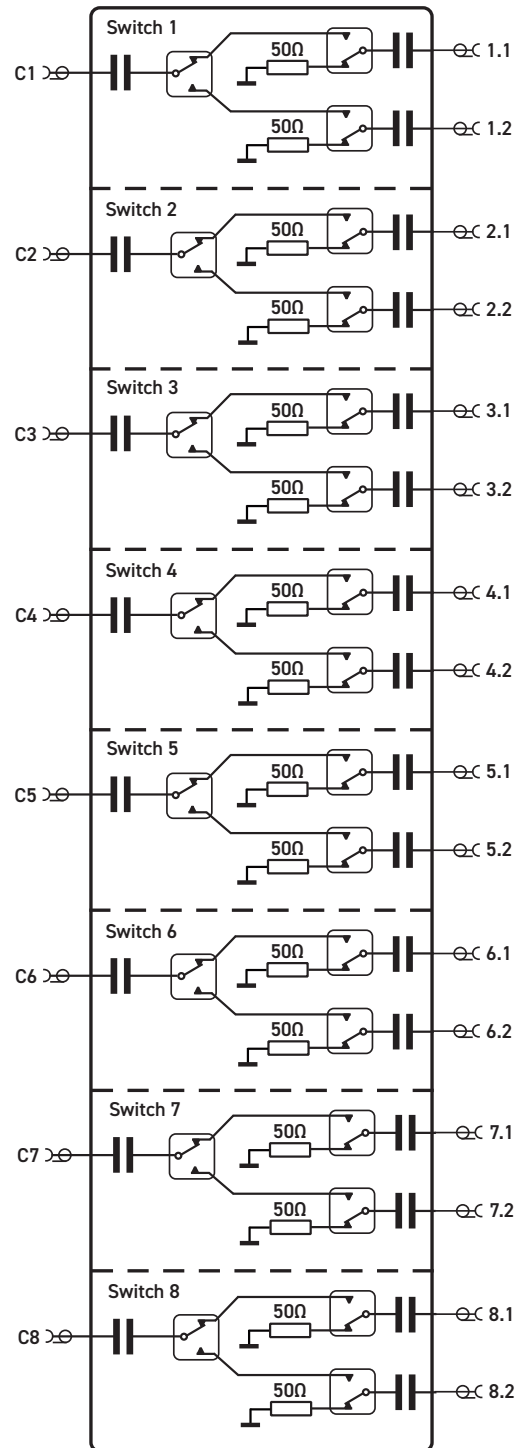
**40/42-880B-001 Dual SPDT Terminated RF Switch Functional Diagram**



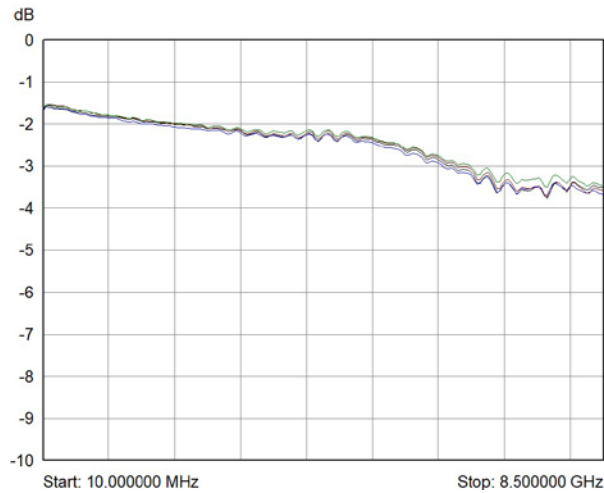
**40/42-880B-002 Quad SPDT Terminated RF Switch Functional Diagram**



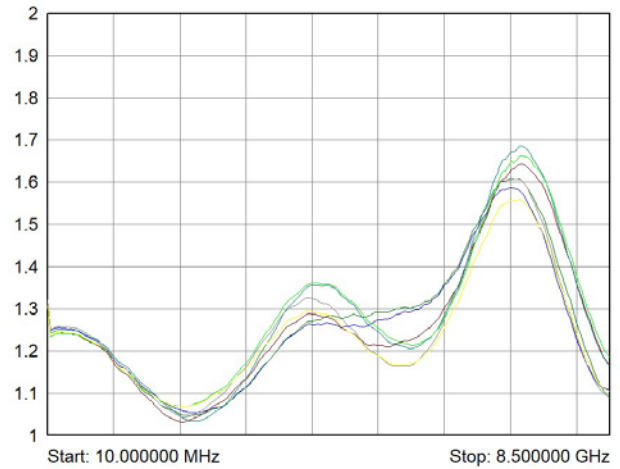
**40/42-880B-003 Hex SPDT Terminated RF Switch Functional Diagram**



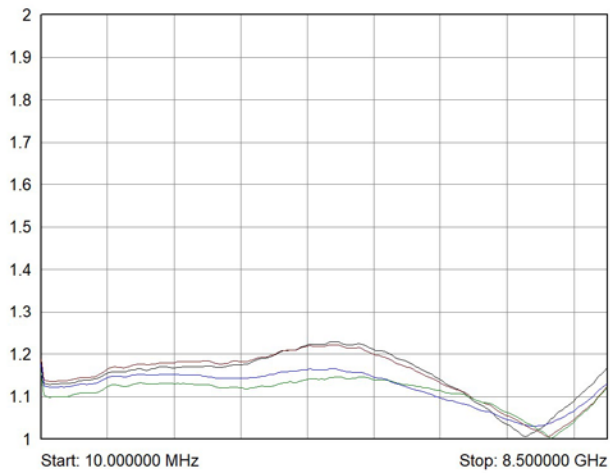
**40/42-880B-004 Octal SPDT Terminated RF Switch Functional Diagram**



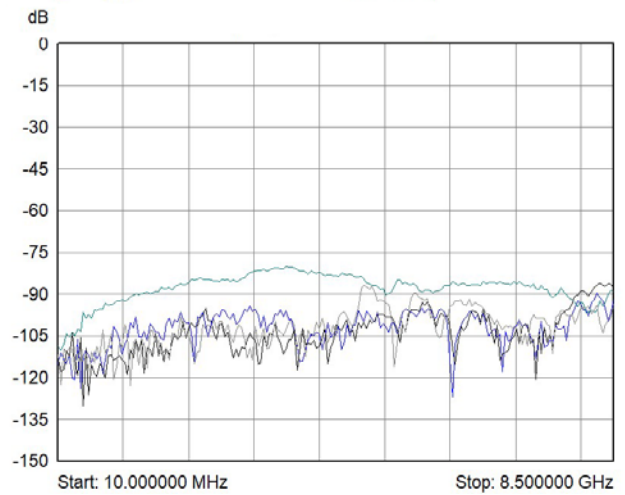
**Insertion loss for 40/42-880B-001 showing all paths up to 8.5 GHz**



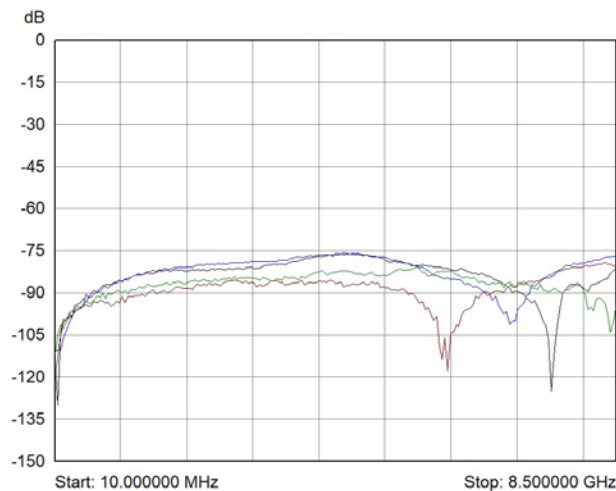
**VSWR Channel to COM for 40/42-880B-001 showing all paths up to 8.5 GHz**



**VSWR for internally terminated channels for 40/42-880B-001 showing all paths up to 8.5 GHz**



**Crosstalk between banks for 40/42-880B-001 showing all paths up to 8.5 GHz**



**Max isolation for each channel with distant path selected for 40/42-880B-001 up to 8.5 GHz**

### Specification

RF Frequency Range:	10 MHz to 8 GHz (useable to 8.5 GHz)
Insertion Loss:	Typically <2 dB @ 10 MHz Typically <2.5 dB to 3 GHz Typically <3 dB to 5 GHz Typically <4 dB to 8 GHz
VSWR COM to Channel:	Typically <1.4:1 to 6 GHz Typically <1.8:1 to 8 GHz
VSWR Channel to COM:	Typically <1.5:1 to 5 GHz Typically <1.8:1 to 8 GHz
VSWR Internal termination:	Typically <1.4:1 to 8 GHz
Isolation:	Typically >75 dB to 3 GHz Typically >65 dB to 6 GHz Typically >60 dB to 8 GHz
Crosstalk bank to bank:	Typically <-80 dB to 3 GHz Typically <-70 dB to 8 GHz
Maximum RF Power:	+36 dBm CW +38 dBm Pulsed +20 dBm hot switching +26 dBm into terminations
Maximum DC Voltage:	7 V (AC coupled)
Life Expectancy:	Indefinite when used within ratings
Operate Time:	50 μs
RF Switching Time:	10 μs typical rise and fall time
RF Connectors:	SMA

### Power Requirements - 40-880B

+3.3V	+5V	+12V	-12V
0.03A	0.01 A	0	0

### Power Requirements - 42-880B

+3.3V	+12V
0.03A	0.01 A

### Mechanical Characteristics

- 40-880B-001 - 1 slot 3U PXI (CompactPCI card)
- 40-880B-002 - 2 slot 3U PXI (CompactPCI card)
- 40-880B-003 - 3 slot 3U PXI (CompactPCI card)
- 40-880B-004 - 3 slot 3U PXI (CompactPCI card)
- 42-880B-001 - 1 slot 3U PXIe, compatible with PXIe hybrid slot
- 42-880B-002 - 2 slot 3U PXIe, compatible with PXIe hybrid slot
- 42-880B-003 - 3 slot 3U PXIe, compatible with PXIe hybrid slot
- 42-880B-004 - 3 slot 3U PXIe, compatible with PXIe hybrid slot

3D models for all versions in a variety of popular file formats are available on request.

### Connectors

40-880B - PXI bus via 32-bit P1/J1 backplane connector.

42-880B - PXIe bus via XJ3 and XJ4 backplane connectors.

Signals via front panel SMA connectors.

### Operating/Storage Conditions

#### Operating Conditions

Operating Temperature:	0°C to +55°C
Humidity:	Up to 90% non-condensing
Altitude:	5000 m

#### Storage and Transport Conditions

Storage Temperature:	-20°C to +75°C
Humidity:	Up to 90% non-condensing
Altitude:	15000 m

### PXI & CompactPCI Compliance - 40-880B

The module is compliant with the PXI Specification 2.2. Local Bus, Trigger Bus & Star Trigger are not implemented. Uses a 33 MHz 32-bit backplane interface.

### PXIe Compliance - 42-880B

The module is compliant with the PXIe Specification 1.0. Local Bus, Trigger Bus & Star Trigger are not implemented.

### Safety & CE Compliance

All modules are fully CE compliant and meet applicable EU directives: Low-voltage safety EN61010-1:2010, EMC Immunity EN61326-1:2013, Emissions EN55011:2009+A1:2010.

## Product Order Codes

---

PXI Dual SPDT Terminated 8 GHz RF Switch	40-880B-001
PXI Quad SPDT Terminated 8 GHz RF Switch	40-880B-002
PXI Hex SPDT Terminated 8 GHz RF Switch	40-880B-003
PXI Octal SPDT Terminated 8 GHz RF Switch	40-880B-004

---

PXIe Dual SPDT Terminated 8 GHz RF Switch	42-880B-001
PXIe Quad SPDT Terminated 8 GHz RF Switch	42-880B-002
PXIe Hex SPDT Terminated 8 GHz RF Switch	42-880B-003
PXIe Octal SPDT Terminated 8 GHz RF Switch	42-880B-004

---

## Product Customization

Pickering modules are designed and manufactured on our own flexible manufacturing lines, giving complete product control and enabling simple customization to meet very specific requirements.

All customized products are given a unique part number, fully documented and may be ordered at any time in the future. Please contact your local sales office to discuss.

## Mating Connectors & Cabling

For connection accessories for the 40/42-880B series please refer to the [90-011D](#) RF Cable Assemblies data sheet where a complete list and documentation can be found for accessories, or refer to the Connection Solutions catalog.



42-880B-001 PXIe Dual SPDT  
Terminated 8 GHz RF Switch

## Chassis Compatibility

The PXI versions of this module must be used in a suitable chassis. They are compatible with the following chassis types:

- All chassis conforming to the 3U PXI and 3U Compact PCI (cPCI) specification
- Legacy and Hybrid Peripheral slots in a 3U PXI Express (PXIe) chassis
- Pickering Interfaces LXI or LXI/USB Modular Chassis

The PXIe versions of this module are compatible with the following chassis types:

- All chassis conforming to the 3U PXIe specification
- PXIe and Hybrid Peripheral slots in a 3U PXI Express (PXIe) chassis

## Chassis Selection Guide

### Standard PXI or hybrid PXIe Chassis from any Vendor:

- Mix our 1000+ PXI switching & simulation modules with any vendor's PXI instrumentation
- Embedded or remote Windows PC control
- Real-time Operating System Support
- High data bandwidths, especially with PXI Express
- Integrated module timing and synchronization



### Pickering LXI or LXI/USB Modular Chassis—only accept our 1000+ PXI Switching & Simulation Modules:

- Ethernet or USB control enables remote operation
- Low-cost control from practically any controller
- LXI provides manual control via Web browsers
- Driverless software support
- Power sequencing immunity
- Ethernet provides chassis/controller voltage isolation
- Independence from Windows operating system



## Connectivity Solutions

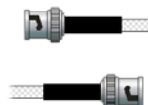
We provide a full range of supporting cable and connector solutions for all our switching products—20 connector families with 1200+ products. We offer everything from simple mating connectors to complex cables assemblies and terminal blocks. All assemblies are manufactured by Pickering and are guaranteed to mechanically and electrically mate to our modules.



Connectors & Backshells



Multiway Cable Assemblies



RF Cable Assemblies



Connector Blocks

We also offer customized cabling and have a free online **Cable Design Tool** that can be used to create custom cable solutions for many applications.

Visit: [pickeringtest.com/cdt](http://pickeringtest.com/cdt) to start your design.



## Mass Interconnect

We recommend the use of a mass interconnect solution when an Interchangeable Test Adapter (ITA) is required for a PXI or LXI based test system. Our modules are fully supported by both Virginia Panel and MacPanel.

## Pickering Reed Relays

We are the only switch provider with in-house reed relay manufacturing capability via our Relay Division. These instrument grade reed relays feature **SoftCenter™** technology, ensuring long service life and repeatable contact performance. To learn more, please go to: [pickeringrelay.com](http://pickeringrelay.com)



## Programming

Pickering provide kernel, IVI and VISA (NI & Keysight) drivers which are compatible with all Microsoft supported versions of Windows and popular older versions. For a list of all supporting operating systems, please see: [pickeringtest.com/os](http://pickeringtest.com/os)

The VISA driver is also compatible with Real-Time Operating Systems such as LabVIEW RT. For other RTOS support contact Pickering. These drivers may be used with a variety of programming environments and applications including:

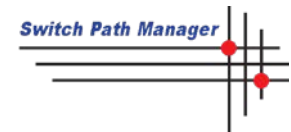
- **Pickering Interfaces Switch Path Manager**
- **National Instruments** products (LabVIEW, LabWindows/CVI, Switch Executive, MAX, TestStand, VeriStand, etc.)
- **Microsoft Visual Studio** products (Visual Basic, Visual C+)
- **Keysight** VEE and OpenTAP
- **Mathworks** Matlab
- **Marvin** ATEasy
- **MTQ Testsolutions** Tecap Test & Measurement Suite

Drivers for popular Linux distributions are available, other environments are also supported, please contact Pickering with specific enquiries. We provide Soft Front Panels (SFPs) for our products for familiarity and manual control, as well as comprehensive documentation and example programs to help you develop test routines with ease.

To learn more about software drivers and development environments, please go to: [pickeringtest.com/software](http://pickeringtest.com/software)

## Signal Routing Software

Our signal routing software, Switch Path Manager, automatically selects and energizes switch paths through Pickering switching systems. Signal routing is performed by simply defining test system endpoints to be connected together, greatly accelerating Test System software development. To learn more, please go to: [pickeringtest.com/spm](http://pickeringtest.com/spm)



## Diagnostic Relay Test Tools

**eBIRST** Switching System Test Tools are designed specifically for our PXI, PCI or LXI products, these tools simplify switching system fault-finding by quickly testing the system and graphically identifying the faulty relay.

To learn more, please go to: [pickeringtest.com/ebirst](http://pickeringtest.com/ebirst)



## Three Year Warranty & Guaranteed Long-Term Support

All standard products manufactured by Pickering Interfaces are warranted against defective materials and workmanship for a period of three years from the date of delivery to the original purchaser. Extended warranty and service agreements are available for all our modules and systems with various levels to suit your requirements. Although we offer a 3-year warranty as standard, we also include guaranteed long-term support—with a history of supporting our products for typically 15-20 years. To learn more, please go to: [pickeringtest.com/support](http://pickeringtest.com/support)

## Available Product Resources

We have a large library of product resources including success stories, product and support videos, articles and white papers as well as application specific product brochures to assist when looking for the switching, simulation and connection solutions you need. We have also published handy reference books on Switching Technology and for the PXI and LXI standards.



To view, download or request any of our product resources, please visit: [pickeringtest.com/resources](http://pickeringtest.com/resources)