

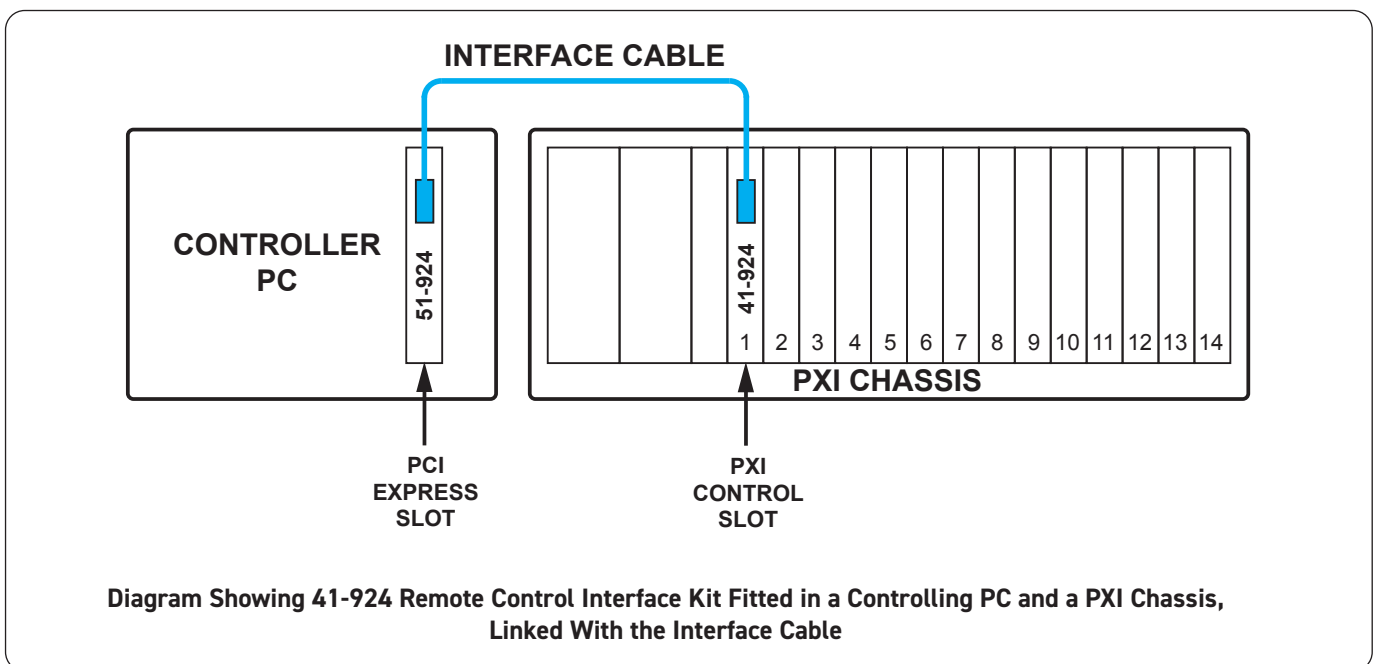
- Provides seamless interface between PC Controller PCIe and PXI chassis
- Fast PCI Express Interface
- Supports 32 bit 33/66 MHz PXI Bus
- Supplied Complete with Lead
- Low Power Consumption
- Occupies Single PXI and PCIe Slot
- 3 Year Warranty



The 41-924 kit provides a seamless connection between a PC's PCIe bus and a PXI bus and is suitable for providing an interface to any PXI chassis.

The kit is supplied with a PCIe card which can plug into any PC PCIe slot, a PXI module for insertion into Slot 1 of a PXI chassis and 3m lead to connect the two parts together.

The interface uses a single lane PCIe connection from the PC to provide a software transparent link from the PCIe backplane to the PXI backplane. The supplied 3m shielded lead ensures the system has robust operation and an adequate separation distance between the PC and the PXI chassis.



## Specification

The system is supplied as kit containing a lead, a 41-924-001 PXI module and a 51-924-001 PCIe module and ordered as a complete kit. Provides a single lane PCIe connection from PCIe to PXI.

### Chassis Compatibility:

51-924-001 is suitable for insertion in any PCIe slot of a PC. 41-924-001 is suitable for insertion in any PXI chassis controller slot (Slot 1), it is not suitable for PXIe controller slots.

### Connection Distance:

Supplied with a 3m connecting lead.

## Power Requirements

	+3.3V	+5V	+12V	-12V
51-924-001	210mA	0	0	0
41-924-001	720mA	0	0	0

## Mechanical Characteristics

51-924: Single slot PCIe Card

41-924-001: Single slot 3 U PXI (CompactPCI card).

3D models for all versions in a variety of popular file formats are available on request.

## Operating/Storage Conditions

### Operating Conditions

Operating Temperature: 0 °C to +55 °C  
 Humidity: Up to 90 % non-condensing  
 Altitude: 5000 m

### Storage and Transport Conditions

Storage Temperature: -20 °C to +75 °C  
 Humidity: Up to 90 % non-condensing  
 Altitude: 15000 m

## PXI & CompactPCI Compliance

All Pickering Interfaces PXI modules comply with the PXI Specification 2.2. Local Bus, Interrupts, Trigger Bus and Star Trigger are not implemented.

## Safety & CE Compliance

All modules are fully CE compliant and meet applicable EU directives: Low-voltage safety EN61010-1:2010, EMC Immunity EN61326-1:2013, Emissions EN55011:2009+A1:2010.

## Product Order Codes

**PCIe to PXI Remote Control Kit** **41-924-001-KIT**

(Complete kit 51-924-001, 41-924-001, 3m Interface cable)

**PCIe Remote Control Interface Card** **51-924-001**

**PXI Remote Control Interface Module** **41-924-001**

## Product Customization

Pickering modules are designed and manufactured on our own flexible manufacturing lines, giving complete product control and enabling simple customization to meet very specific requirements.

All customized products are given a unique part number, fully documented and may be ordered at any time in the future. Please contact your local sales office to discuss.

## Chassis Compatibility

This PXI module must be used in a suitable chassis. It is compatible with the following chassis types:

- All chassis conforming to the 3U PXI and 3U Compact PCI (cPCI) specification
- Legacy and Hybrid Peripheral slots in a 3U PXI Express (PXIe) chassis
- Pickering Interfaces LXI or LXI/USB Modular Chassis

## Chassis Selection Guide

### Standard PXI or hybrid PXIe Chassis from any Vendor:

- Mix our 1000+ PXI switching & simulation modules with any vendor's PXI instrumentation
- Embedded or remote Windows PC control
- Real-time Operating System Support
- High data bandwidths, especially with PXI Express
- Integrated module timing and synchronization



### Pickering LXI or LXI/USB Modular Chassis—only accept our 1000+ PXI Switching & Simulation Modules:

- Ethernet or USB control enables remote operation
- Low-cost control from practically any controller
- LXI provides manual control via Web browsers
- Driverless software support
- Power sequencing immunity
- Ethernet provides chassis/controller voltage isolation
- Independence from Windows operating system



## Connectivity Solutions

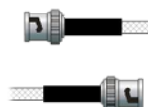
We provide a full range of supporting cable and connector solutions for all our switching products—20 connector families with 1200+ products. We offer everything from simple mating connectors to complex cables assemblies and terminal blocks. All assemblies are manufactured by Pickering and are guaranteed to mechanically and electrically mate to our modules.



Connectors & Backshells



Multiwire Cable Assemblies



RF Cable Assemblies



Connector Blocks

We also offer customized cabling and have a free online **Cable Design Tool** that can be used to create custom cable solutions for many applications. Visit: [pickeringtest.com/cdt](http://pickeringtest.com/cdt) to start your design.

## Mass Interconnect

We recommend the use of a mass interconnect solution when an Interchangeable Test Adapter (ITA) is required for a PXI or LXI based test system. Our modules are fully supported by both Virginia Panel and MacPanel.



## Pickering Reed Relays

We are the only switch provider with in-house reed relay manufacturing capability via our Relay Division. These instrument grade reed relays feature **SoftCenter™** technology, ensuring long service life and repeatable contact performance. To learn more, please go to: [pickeringrelay.com](http://pickeringrelay.com)



## Programming

Pickering provide kernel, IVI and VISA (NI & Keysight) drivers which are compatible with all Microsoft supported versions of Windows and popular older versions. For a list of all supporting operating systems, please see: [pickeringtest.com/os](http://pickeringtest.com/os)

The VISA driver is also compatible with Real-Time Operating Systems such as LabVIEW RT. For other RTOS support contact Pickering. These drivers may be used with a variety of programming environments and applications including:

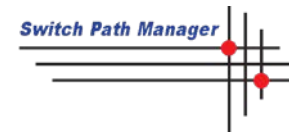
- **Pickering Interfaces Switch Path Manager**
- **National Instruments** products (LabVIEW, LabWindows/CVI, Switch Executive, MAX, TestStand, VeriStand, etc.)
- **Microsoft Visual Studio** products (Visual Basic, Visual C+)
- **Keysight** VEE and OpenTAP
- **Mathworks** Matlab
- **Marvin** ATEasy
- **MTQ Testsolutions** Tecap Test & Measurement Suite

Drivers for popular Linux distributions are available, other environments are also supported, please contact Pickering with specific enquiries. We provide Soft Front Panels (SFPs) for our products for familiarity and manual control, as well as comprehensive documentation and example programs to help you develop test routines with ease.

To learn more about software drivers and development environments, please go to: [pickeringtest.com/software](http://pickeringtest.com/software)

## Signal Routing Software

Our signal routing software, Switch Path Manager, automatically selects and energizes switch paths through Pickering switching systems. Signal routing is performed by simply defining test system endpoints to be connected together, greatly accelerating Test System software development. To learn more, please go to: [pickeringtest.com/spm](http://pickeringtest.com/spm)



## Diagnostic Relay Test Tools

**eBIRST** Switching System Test Tools are designed specifically for our PXI, PCI or LXI products, these tools simplify switching system fault-finding by quickly testing the system and graphically identifying the faulty relay.

To learn more, please go to: [pickeringtest.com/ebirst](http://pickeringtest.com/ebirst)



## Three Year Warranty & Guaranteed Long-Term Support

All standard products manufactured by Pickering Interfaces are warranted against defective materials and workmanship for a period of three years from the date of delivery to the original purchaser. Extended warranty and service agreements are available for all our modules and systems with various levels to suit your requirements. Although we offer a 3-year warranty as standard, we also include guaranteed long-term support—with a history of supporting our products for typically 15-20 years. To learn more, please go to: [pickeringtest.com/support](http://pickeringtest.com/support)

## Available Product Resources

We have a large library of product resources including success stories, product and support videos, articles and white papers as well as application specific product brochures to assist when looking for the switching, simulation and connection solutions you need. We have also published handy reference books on Switching Technology and for the PXI and LXI standards.



To view, download or request any of our product resources, please visit: [pickeringtest.com/resources](http://pickeringtest.com/resources)