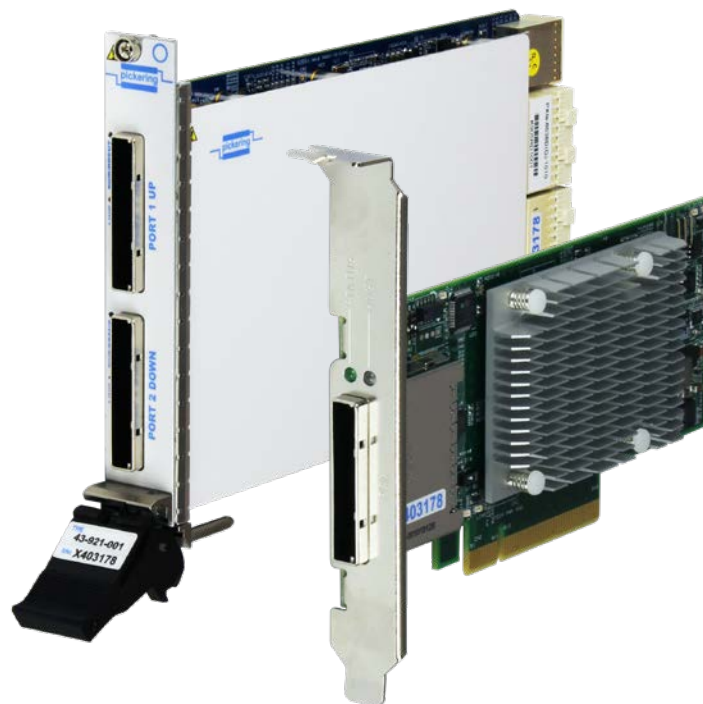


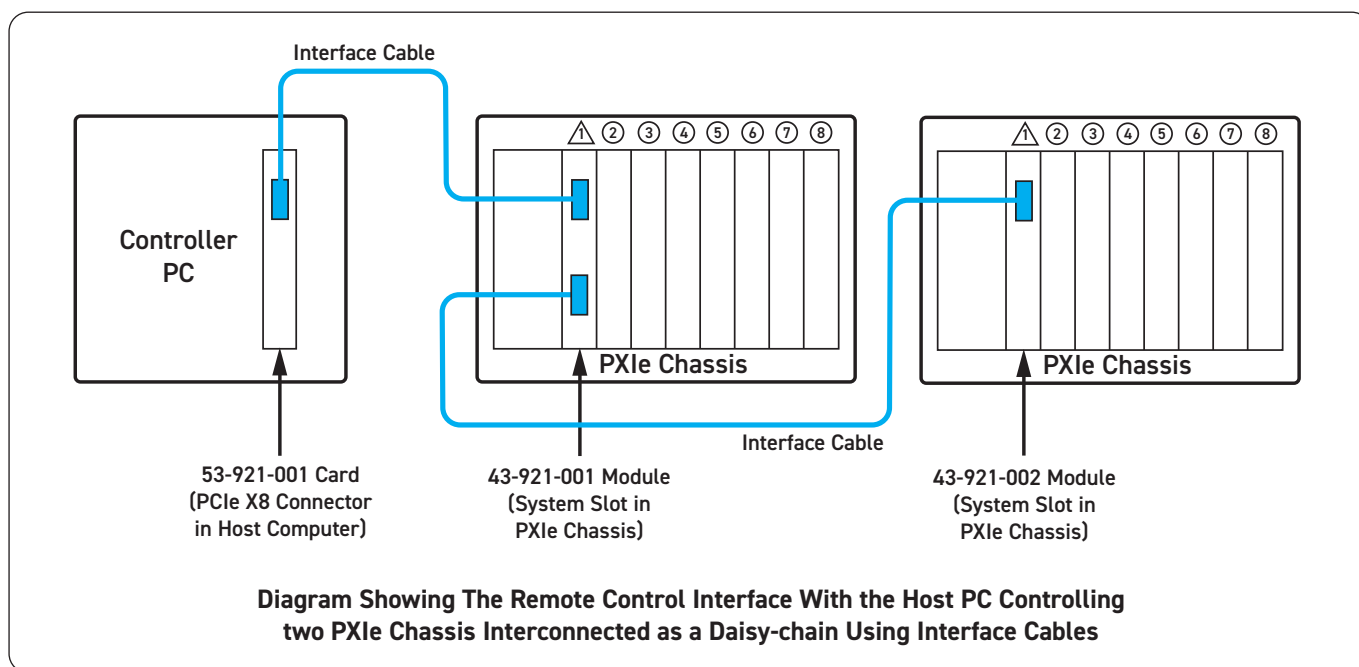
- PXI-5 PXI Express Hardware Specification rev.2.0 Compliant
- PCI Express® Base Specifications rev.2.0 Compliant
- PCIe Gen 2 x8 Ports Each Support up to 4GB/s
- PXI Express Link Capability:
 - Four Link Configuration: x4 x4 x4 x4
 - Two Link Configuration: x16 x8
- Expansion Distance up to 5m With 2m or 5m Expansion Cables
- Comprehensive Hardware & Software Transparency
- Flexible Option for Multi-chassis Expansion as a Daisy-chain or Star-chain Configured
- 3 Year Warranty



The 43-921 PCI Express-to-PXI Express expansion kit provides control of PXI Express modules installed in a PXI Express chassis using high bandwidth PCI Express technology. The extension kit can provide up to 4GB/s using PCIe Gen 2 x8 signalling. The 43-921 PCI Express-to-PXI Express expansion kit provides additional PXI instruments slots to the host computer by implementing a PCI Express-based control of PXI modules. The technology consists of a 53-921-001 host adapter installed in the host computer, a PCIe x8 cable, and a 43-921-00x, a remote controller with the 3U (Eurocard) expansion module. 53-921-001 comes in a PCI Express x8 footprint and equips with PCIe x8 cable connector.

43-921-001 with dual ports provides capability of multi-chassis control as a daisy-chain configuration. The upper port would be connected to a 53-921-001 which be installed in a host PC and the lower port would be connected to a 43-921-002 in subsequent chassis system slot.

With comprehensive hardware and software transparency, the expansion kit enables fast and convenient detection of any PXI cards installed in the system, requiring no additional drivers or software.



Specification

Compliance:	PXI-5 PXI Express hardware specification Rev.2.0 compliant
Maximum Data Throughput:	43-921-001: Two PCIe gen 2 x8 ports each up to 4GB/s 43-921-002: PCI Express gen 2 x8 link with 4GB/s
Connection Distance:	Up to 5m
Installation:	Controller slot 1 (43-921-001 and 43-921-002)
Dimensions - 53-921-001:	Low-profile PCI Express card: 142 mm (W) x 69 mm (H)
Dimensions - 43-921-001/002:	PXI Express system module: 175 mm (W) x 107 mm (H)

Product Order Codes

PCIe-to-PXIe Kit with 2m Cable with Daisy-chain Facility	43-921-001-KIT (includes one 53-921-001, one 43-921-001 and one 43-921-200 2 meter cable)
PCIe-to-PXIe Kit with 2m Cable	43-921-002-KIT (includes one 53-921-001, one 43-921-002 and one 43-921-200 2 meter cable)
PCIe Remote Control Interface Card	53-921-001
PXIe Remote Control Interface Module with Daisy-chain Facility	43-921-001
PXIe Remote Control Interface Module	43-921-002
Interface Cable 2m	43-921-200
Interface Cable 5m	43-921-500

Operating/Storage Conditions

Operating Conditions

Operating Temperature:	0°C to +55°C
Humidity:	10% to 90% non-condensing

Storage and Transport Conditions

Storage Temperature:	-40°C to +71°C
Humidity:	10% to 90% non-condensing

Safety & CE Compliance

All modules are fully CE compliant and meet applicable EU directives: Low-voltage safety EN61010-1:2010, EMC Immunity EN61326-1:2013, Emissions EN55011:2009+A1:2010.*

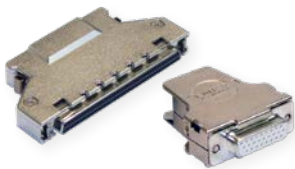
43-921 Remote Control Interface Fitted to 42-925 18-Slot PXIe Chassis

43-921 Remote Control Interface Fitted to 42-924 8-Slot PXIe Chassis



Connectivity Solutions

We provide a full range of supporting cable and connector solutions for all our switching products—20 connector families with 1200+ products. We offer everything from simple mating connectors to complex cables assemblies and terminal blocks. All assemblies are manufactured by Pickering and are guaranteed to mechanically and electrically mate to our modules.



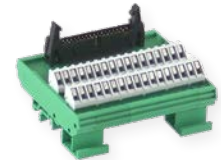
Connectors & Backshells



Multiway Cable Assemblies



RF Cable Assemblies



Connector Blocks

We also offer customized cabling and have a free online **Cable Design Tool** that can be used to create custom cable solutions for many applications.

Visit: pickeringtest.com/cdt to start your design.

Mass Interconnect

We recommend the use of a mass interconnect solution when an Interchangeable Test Adapter (ITA) is required for a PXI or LXI based test system. Our modules are fully supported by both Virginia Panel and MacPanel.

Pickering Reed Relays

We are the only switch provider with in-house reed relay manufacturing capability via our Relay Division. These instrument grade reed relays feature **SoftCenter™** technology, ensuring long service life and repeatable contact performance.

To learn more, please go to: pickeringrelay.com



Programming

Pickering provide kernel, IVI and VISA (NI & Keysight) drivers which are compatible with all Microsoft supported versions of Windows and popular older versions. For a list of all supporting operating systems, please see: pickeringtest.com/os

The VISA driver is also compatible with Real-Time Operating Systems such as LabVIEW RT. For other RTOS support contact Pickering. These drivers may be used with a variety of programming environments and applications including:

- **Pickering Interfaces Switch Path Manager**
- **National Instruments** products (LabVIEW, LabWindows/CVI, Switch Executive, MAX, TestStand, VeriStand, etc.)
- **Microsoft Visual Studio** products (Visual Basic, Visual C+)
- **Keysight** VEE and OpenTAP
- **Mathworks** Matlab
- **Marvin** ATEasy
- **MTQ Testsolutions** Tecap Test & Measurement Suite

Drivers for popular Linux distributions are available, other environments are also supported, please contact Pickering with specific enquiries.

We provide Soft Front Panels (SFPs) for our products for familiarity and manual control, as well as comprehensive documentation and example programs to help you develop test routines with ease.

To learn more about software drivers and development environments, please go to: pickeringtest.com/software

Signal Routing Software

Our signal routing software, Switch Path Manager, automatically selects and energizes switch paths through Pickering switching systems. Signal routing is performed by simply defining test system endpoints to be connected together, greatly accelerating Test System software development.

To learn more, please go to: pickeringtest.com/spm



Diagnostic Relay Test Tools

eBIRST Switching System Test Tools are designed specifically for our PXI, PCI or LXI products, these tools simplify switching system fault-finding by quickly testing the system and graphically identifying the faulty relay.

To learn more, please go to: pickeringtest.com/ebirst

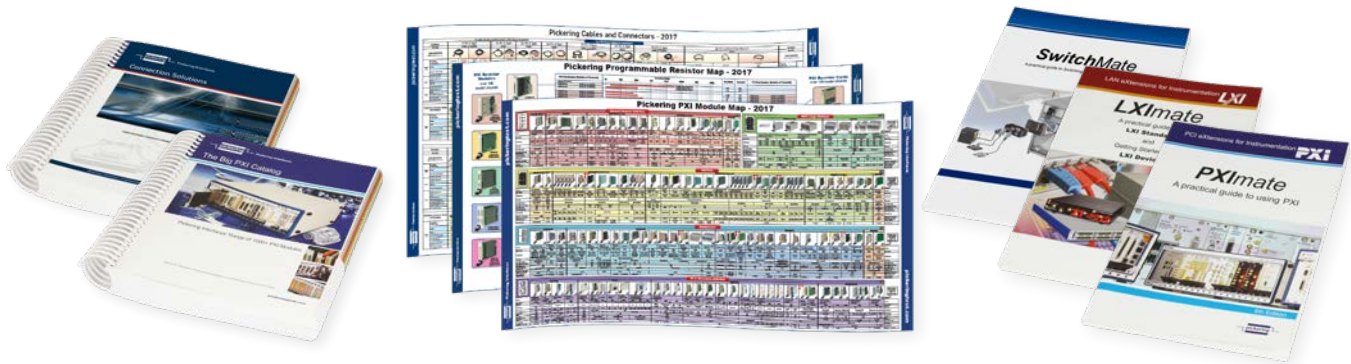


Three Year Warranty & Guaranteed Long-Term Support

All standard products manufactured by Pickering Interfaces are warranted against defective materials and workmanship for a period of three years from the date of delivery to the original purchaser. Extended warranty and service agreements are available for all our modules and systems with various levels to suit your requirements. Although we offer a 3-year warranty as standard, we also include guaranteed long-term support—with a history of supporting our products for typically 15-20 years. To learn more, please go to: pickeringtest.com/support

Available Product Resources

We have a large library of product resources including success stories, product and support videos, articles, as well as complete product catalogs and product reference maps to assist when looking for the switching, simulation and cable and connector solutions you need. We have also published handy reference books on Switching Technology and for the PXI and LXI standards.



To view, download or request any of our product resources, please visit: pickeringtest.com/resources

© Copyright (2020) Pickering Interfaces. All Rights Reserved
Pickering Interfaces maintains a commitment to continuous product development, consequently we reserve the right to vary from the description given in this data sheet.