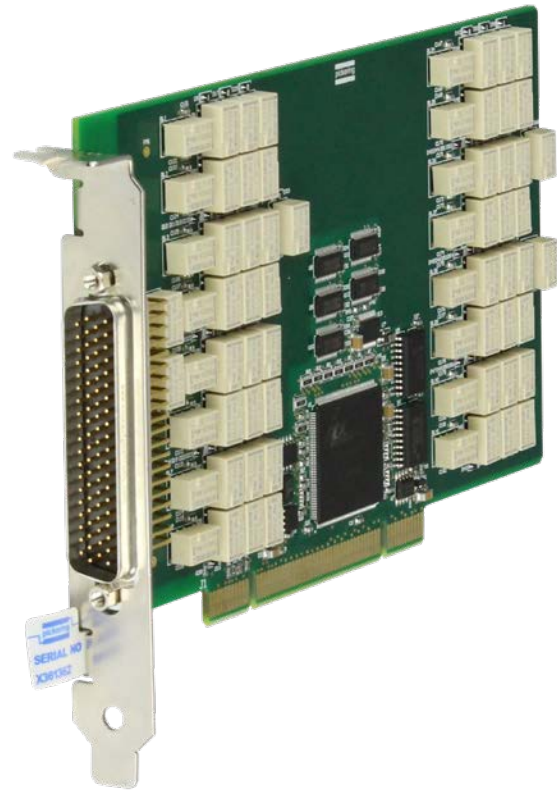


- Fault Insertion on 4 or 8 Channels of 2 Wire Connections
- Suited for Ethernet Fault Insertion
- Compatible With 1Gb Ethernet, AFDX & BroadR-Reach
- Controlled Transmission Line Impedance
- Simple Insertion of Shorted Pair, Open and Battery/Ground Connection
- VISA, IVI & Kernel Drivers Supplied for Windows
- Supported by eBIRST™
- 3 Year Warranty



The 50-201 is designed to simulate common faults on high speed two wire communication interfaces such as Ethernet.

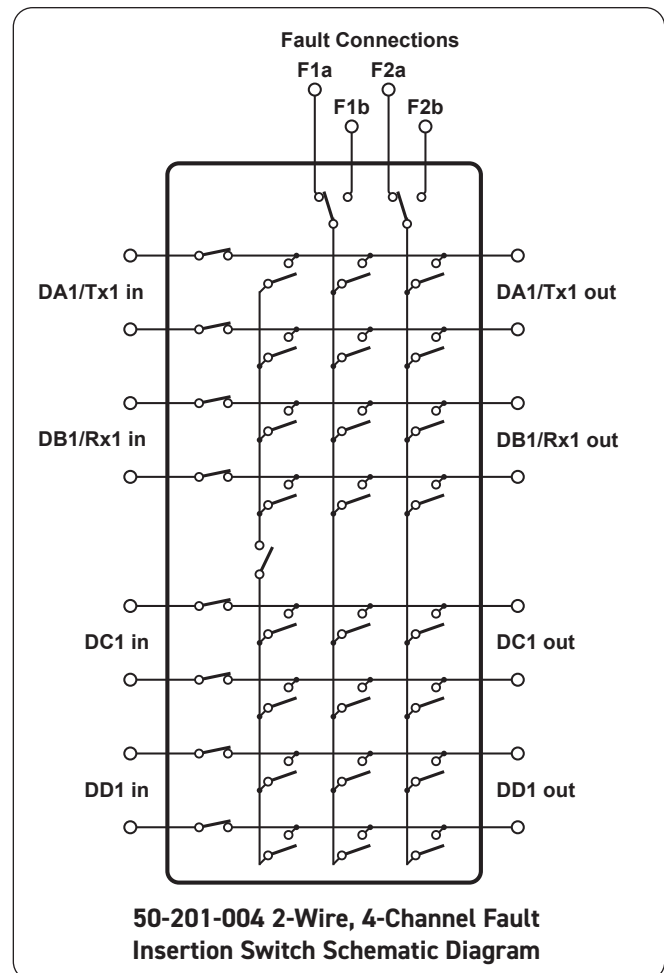
It has 4 or 8 two wire serial channels and can be used for simulating faults on Ethernet, AFDX, BroadR-Reach, 100BaseT and 1000BaseT interfaces. Any wire can be set to open circuit, shorts can be applied across a wire pair, or to an adjacent pair. Fault connections can be made to one of four external signals via two fault buses, typically simulating connections to a supply voltage or ground. Each channel can carry 0.3A and is rated up to 100 V between wire pairs. The pairs have controlled transmission line impedance suited to most differential signalling systems.

The fault buses are capable of carrying 2A allowing multiple channels to be connected to the same fault condition. Additionally, the fault buses have changeover switches allowing the user to select alternative fault conditions.

The front panel signal connector is an easy to use 78-pin D-type which is fully supported by Pickering Interfaces range of connector accessories. Relays are high quality electro-mechanical with long service life for telecommunications use.

Supported by eBIRST

eBIRST test tools simplify switching fault-finding by quickly testing the system and graphically identifying the faulty relay. For more information go to: pickeringtest.com/ebirst



Relay Type

The 50-201 is fitted with high quality electro-mechanical relays, palladium-ruthenium gold covered contacts. A spare relay is built onto the circuit board to allow easy maintenance with minimum downtime.

Data Path Specification

Configuration:	4 or 8 two wire channels designed for use on high speed differential serial interfaces including Ethernet 1000BaseT, AFDX & BroadR-Reach.
Faults Simulated:	Open on either or both wires, short between wires or to adjacent wire pair, short to one of four fault connections via two fault buses.
Differential Line Impedance:	100 Ω
Voltage Rating:	100 V*
Current Rating:	0.3 A
Max Hot Switch Power:	30 W
Path Resistance:	<2 Ω data input to output
Typical Bandwidth:	>400 MHz differential
Operate Time:	4 ms (typical)†

* For full voltage rating, signal sources must be fully isolated from mains supply and safety earth.

† Including Mode A restricted usage feature overhead - see user manual for further information.

Fault Bus Specification

Configuration:	Two fault buses each with a changeover relay for selecting one of two fault conditions.
Voltage Rating:	100 V*
Current Rating:	2 A
Max Hot Switch Power:	60 W

* For full voltage rating, signal sources must be fully isolated from mains supply and safety earth.

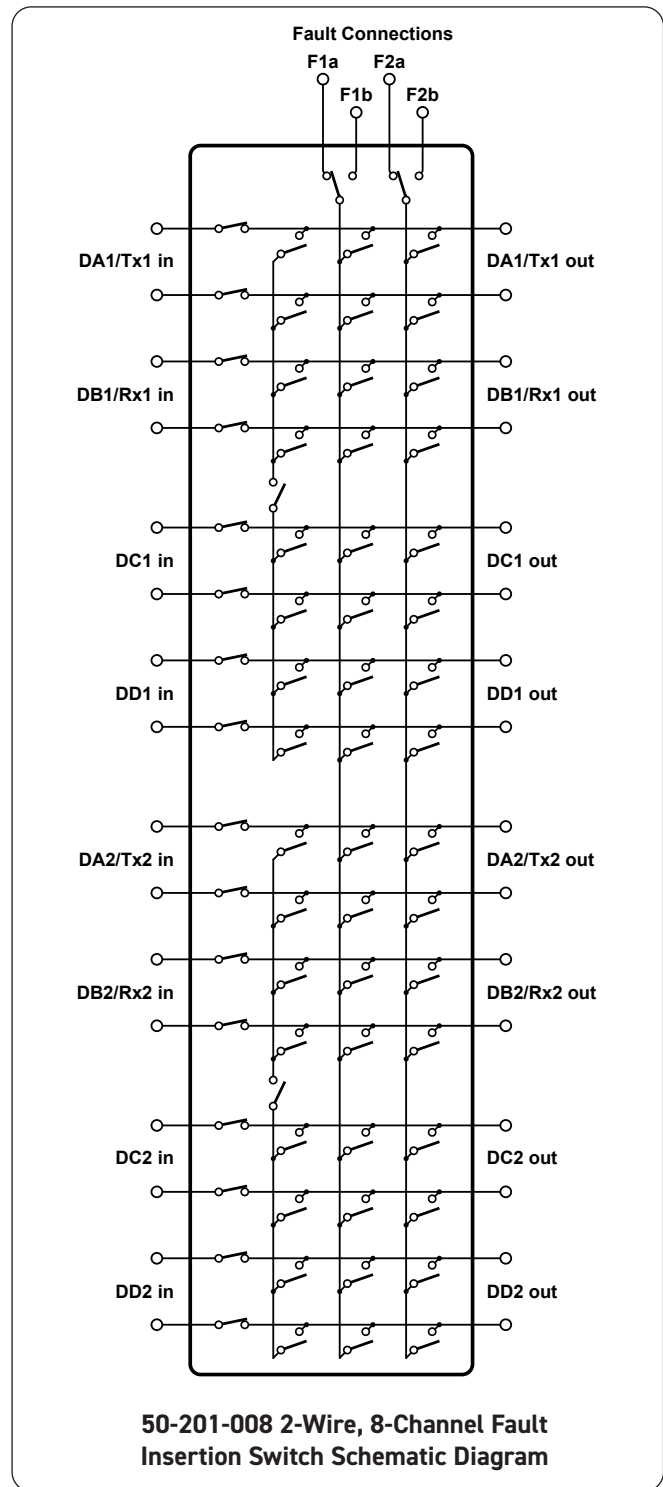
Power Requirements

+3.3V	+5V	+12V	-12V
150 mA	700mA	0	0

Mechanical Characteristics

Single slot short PCI format.

3D models for all versions in a variety of popular file formats are available on request.



Connectors

Signals via a 78-pin male D-type connector, for pin outs please refer to the operating manual.

PCI Compliance

The 50-201 complies with the PCI Specification 2.0 (issued Feb 2004).

Signalling Environment: 33MHz, 32-bit Universal (+3.3V or +5V).

Product Order Codes

PCI Ethernet/AFDX/BroadR-Reach
Fault Insertion Switch, 4-Channel **50-201-004**

PCI Ethernet/AFDX/BroadR-Reach
Fault Insertion Switch, 8-Channel **50-201-008**

Accessories:

Interface Board for Gigabit Ethernet,
78-pin D-type to 4xRJ45 & 9-pin D-type
fault connector **40-965-910**

Interface Board for 100-BaseT, 78-pin
D-type to 4xRJ45 & 9-pin D-type fault
connector **40-965-911**

Interface Boards

Pickering Interfaces is able to design and supply interface boards, such as the 40-965-910 and 40-965-911, that adapt the 78-pin D-type connector

to other connector types, including

RJ45. For further information contact your local Pickering Interfaces sales representative with your requirements.



Operating/Storage Conditions

Operating Conditions

Operating Temperature: 0 °C to +55 °C
Humidity: Up to 90 % non-condensing
Altitude: 5000 m

Storage and Transport Conditions

Storage Temperature: -20 °C to +75 °C
Humidity: Up to 90 % non-condensing
Altitude: 15000 m

Safety & CE Compliance

All cards are fully CE compliant and meet applicable EU directives: Low-voltage safety EN61010-1:2010, EMC Immunity EN61326-1:2013, Emissions EN55011:2009+A1:2010.

Support Products

eBIRST Switching System Test Tool

This product is supported by the eBIRST test tools which simplify the identification of failed relays, the required eBIRST tools are below. For more information go to:

pickeringtest.com/ebirst

Product	Test Tool	Adaptor
50-201	93-006-001	Not Required

Spare Relay Kits

Kits of replacement relays are available for the majority of Pickering's PXI switching products, simplifying servicing and reducing down-time.

Product	Relay Kit
50-201	91-100-001

For further assistance, please contact your local Pickering sales office.

Mating Connectors & Cabling

For general purpose (non-differential) connection accessories for the 50-201 card please refer to the [90-006D](#) 78-pin D-type connector data sheet where a complete list and documentation can be found for accessories, or refer to the Connection Solutions catalog.

Note: To use the 50-201 up to its full operating frequency, cables with twisted pairs must be used.

Product Customization

Pickering PCI cards are designed and manufactured on our own flexible manufacturing lines, giving complete product control and enabling simple customization to meet very specific requirements.

Customization can include:

- Alternative relay types
- Mixture of relay types
- Alternative number of relays
- Different performance specifications

All customized products are given a unique part number, fully documented and may be ordered at any time in the future. Please contact your local sales office to discuss.

Connectivity Solutions

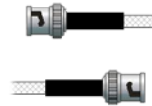
We provide a full range of supporting cable and connector solutions for all our switching products—20 connector families with 1200+ products. We offer everything from simple mating connectors to complex cables assemblies and terminal blocks. All assemblies are manufactured by Pickering and are guaranteed to mechanically and electrically mate to our modules.



Connectors & Backshells



Multiway Cable Assemblies



RF Cable Assemblies



Connector Blocks

We also offer customized cabling and have a free online **Cable Design Tool** that can be used to create custom cable solutions for many applications. Visit: pickeringtest.com/cdt to start your design.

Mass Interconnect

We recommend the use of a mass interconnect solution when an Interchangeable Test Adapter (ITA) is required for a PXI or LXI based test system. Our modules are fully supported by both Virginia Panel and MacPanel.



Pickering Reed Relays

We are the only switch provider with in-house reed relay manufacturing capability via our Relay Division. These instrument grade reed relays feature **SoftCenter™** technology, ensuring long service life and repeatable contact performance. To learn more, please go to: pickeringrelay.com



Programming

Pickering provide kernel, IVI and VISA (NI & Keysight) drivers which are compatible with all Microsoft supported versions of Windows and popular older versions. For a list of all supporting operating systems, please see: pickeringtest.com/os

The VISA driver is also compatible with Real-Time Operating Systems such as LabVIEW RT. For other RTOS support contact Pickering. These drivers may be used with a variety of programming environments and applications including:

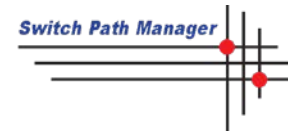
- **Pickering Interfaces Switch Path Manager**
- **National Instruments** products (LabVIEW, LabWindows/CVI, Switch Executive, MAX, TestStand, VeriStand, etc.)
- **Microsoft Visual Studio** products (Visual Basic, Visual C+)
- **Keysight** VEE and OpenTAP
- **Mathworks** Matlab
- **Marvin** ATEasy
- **MTQ Testsolutions** Tecap Test & Measurement Suite

Drivers for popular Linux distributions are available, other environments are also supported, please contact Pickering with specific enquiries. We provide Soft Front Panels (SFPs) for our products for familiarity and manual control, as well as comprehensive documentation and example programs to help you develop test routines with ease.

To learn more about software drivers and development environments, please go to: pickeringtest.com/software

Signal Routing Software

Our signal routing software, Switch Path Manager, automatically selects and energizes switch paths through Pickering switching systems. Signal routing is performed by simply defining test system endpoints to be connected together, greatly accelerating Test System software development. To learn more, please go to: pickeringtest.com/spm



Diagnostic Relay Test Tools

eBIRST Switching System Test Tools are designed specifically for our PXI, PCI or LXI products, these tools simplify switching system fault-finding by quickly testing the system and graphically identifying the faulty relay. To learn more, please go to: pickeringtest.com/ebirst



Three Year Warranty & Guaranteed Long-Term Support

All standard products manufactured by Pickering Interfaces are warranted against defective materials and workmanship for a period of three years from the date of delivery to the original purchaser. Extended warranty and service agreements are available for all our modules and systems with various levels to suit your requirements. Although we offer a 3-year warranty as standard, we also include guaranteed long-term support—with a history of supporting our products for typically 15-20 years. To learn more, please go to: pickeringtest.com/support

Available Product Resources

We have a large library of product resources including success stories, product and support videos, articles and white papers as well as application specific product brochures to assist when looking for the switching, simulation and connection solutions you need. We have also published handy reference books on Switching Technology and for the PXI and LXI standards.



To view, download or request any of our product resources, please visit: pickeringtest.com/resources

© Copyright (2021) Pickering Interfaces. All Rights Reserved. Pickering Interfaces maintains a commitment to continuous product development, consequently we reserve the right to vary from the description given in this data sheet.