



- Provides Controlled Start Up Of Test Systems
- Supports Up To 8 Instruments
- Settable Timing Interval And Sequence
- Permits Remote Re-booting Of Systems
- Compliant To LXI Standard 1.4
- Provides Functional Stop Facility
- 3 Year Warranty

If you have ever read the term “Programmable except for the supply on/off switch” the 60-200 can provide this capability with the added benefit of an easy to use LXI interface. The 60-200 is a power management switch that provides a means of remotely controlling the power status of up to 8 instruments.

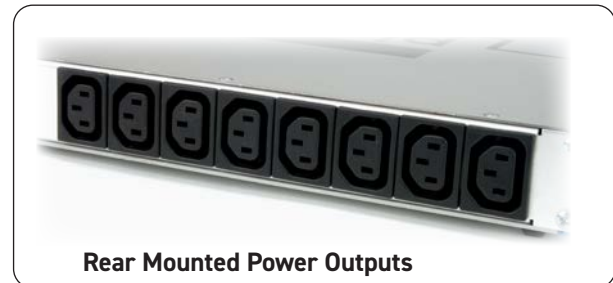
Each power outlet can be programmed to switch on in sequence with a specific timing delay. The delay can be staggered to ensure that order dependent systems - like PXI - can be switched on and off in an orderly way with just one operation. A staggered start up also limits the inrush current associated with the powering up of equipment, including earth current inrush, placing less stress on cabling and leakage breakers. Power on or off instructions can be initiated from either the front panel switch or via the LXI compliant LAN interface.

By using switching devices with high inrush current ratings, the 60-200 can tolerate equipment that includes EMC power filters.

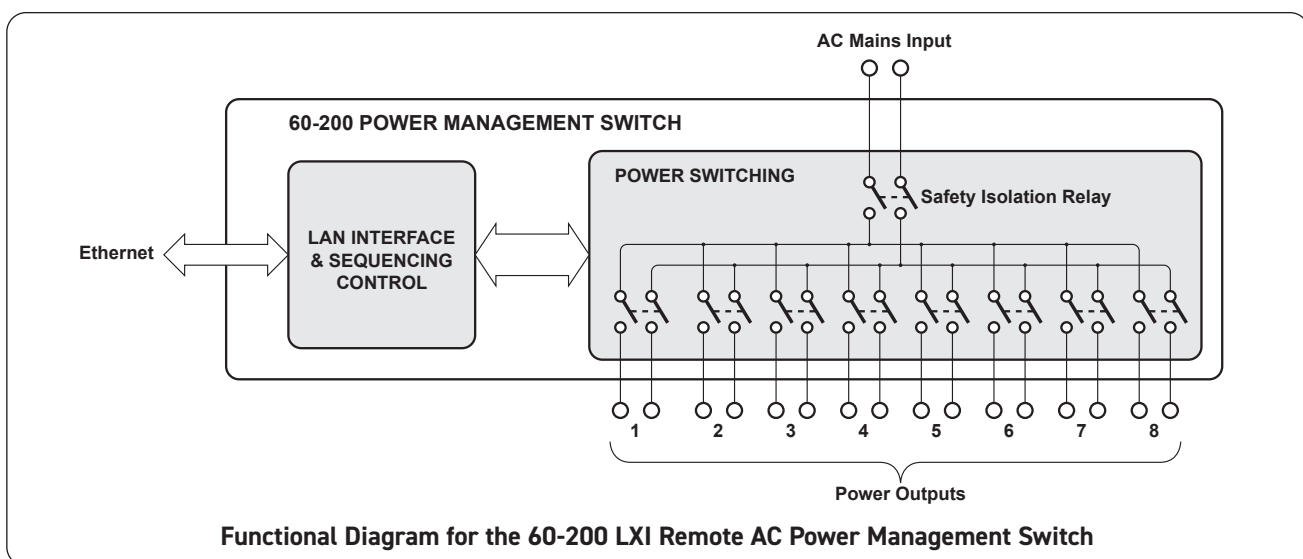
For systems not requiring remote control, the 60-200 will operate without a LAN connection and power sequencing will be according to stored instructions. However, a LAN connection is required to configure the 60-200 and set the order and timing of the start up sequence.

Remote control can be used to re-boot systems that are present in other buildings or factories. The 60-200 is designed in accordance with the LXI Standard 1.4 and is supplied in a compact 1U high, rack width case.

An RS232 controlled version of the 60-200, the 90-200, is also available without LAN access and with reduced functionality.



Rear Mounted Power Outputs



ISSUE 3.0 NOV 2018

Specifications

Power Connections	
No. of power inlets:	1, male IEC connector
Power inlet current:	10A
No. of power outlets:	8, female IEC connectors
Outlet current rating:	6A maximum per channel, 10A maximum total current for all channels.
Switch Ratings	
Switch configuration:	DPST each outlet
Electrical life:	100,000 operations of a load incorporating EMC filters on its AC input.
Sequencing Control	
ON/OFF initiation:	From front panel switch or remotely via either web browser or using one of a variety of provided programming interfaces.
Timing:	Output delays can be set from 0 to 60 seconds for each outlet, set via web interface. Timing sequence is stored in non-volatile memory once set.
Functional shutdown:	Connector on front panel can be used to connect directly to a remote functional shut down switch. Switch action is immediate on all outlets.

General Characteristics

Power Source:	Universal AC mains supply, 90 to 264VAC, 50/60 Hz.
LXI Interface:	1000Base-T Ethernet Interface via a standard RJ-45 connector mounted on the rear panel.* Compliant to LXI Standard 1.4.
LXI Status Indicators:	Front panel mounted LEDs: • Power • Ready • Error • LAN • Active
Rack Mounting:	Supplied with front panel ears to enable rack mounting on a shelf or other rear support mechanism.
Dimensions:	Full 19" rack width, 1U high, 340mm depth. Weight: 5Kg.
Cooling:	Fan assisted, side entry, rear exhaust.

*Note: Legacy units may not have 1000Base-T support.



60-200 LXI Power Management Switch Soft Front Panel (Power-Up Sequence Control)

Mechanical Characteristics

3D models for all versions in a variety of popular file formats are available on request.

Operating/Storage Conditions

Operating Conditions

Operating Temperature: 0°C to +55°C
Humidity: Up to 95% non-condensing
Altitude: 4000m

Storage and Transport Conditions

Storage Temperature: -20°C to +75°C
Humidity: Up to 95% non-condensing
Altitude: 15000m

Safety & CE Compliance

All products are fully CE compliant and meet applicable EU directives: Low-voltage safety EN61010-1:2010, EMC Immunity EN61326-1:2013, Emissions EN55011:2009+A1:2010.

Product Order Codes

LXI Remote AC Power Management Switch 60-200-001

Product Customization

Pickering LXI units are designed and manufactured on our own flexible manufacturing lines, giving complete product control and enabling simple customization to meet very specific requirements.

All customized products are given a unique part number, fully documented and may be ordered at any time in the future. Please contact your local sales office to discuss.

Programming

All LXI devices are supplied with built-in software drivers, web pages for configuration and soft front panels as required by the LXI specification. A variety of drivers are provided (C, .NET, IVI, SOAP) which are compatible with all Microsoft supported versions of Windows and popular older versions. For a list of all supporting operating systems, please see: pickeringtest.com/os

The drivers may be used in many commonly used programming environments and applications including:

- **Pickering Interfaces Switch Path Manager**
- **National Instruments** products (LabVIEW, LabWindows/CVI, Switch Executive, MAX, TestStand, VeriStand, etc.)
- **Microsoft Visual Studio** products (Visual Basic, Visual C++, Visual C#)
- **Keysight** VEE and OpenTAP
- **Mathworks** Matlab
- **Marvin** ATEasy
- **MTQ Testsolutions** Tecap Test & Measurement Suite

As well as various open source environments such as:

- **Sharp Develop**
- **Dev-C++**

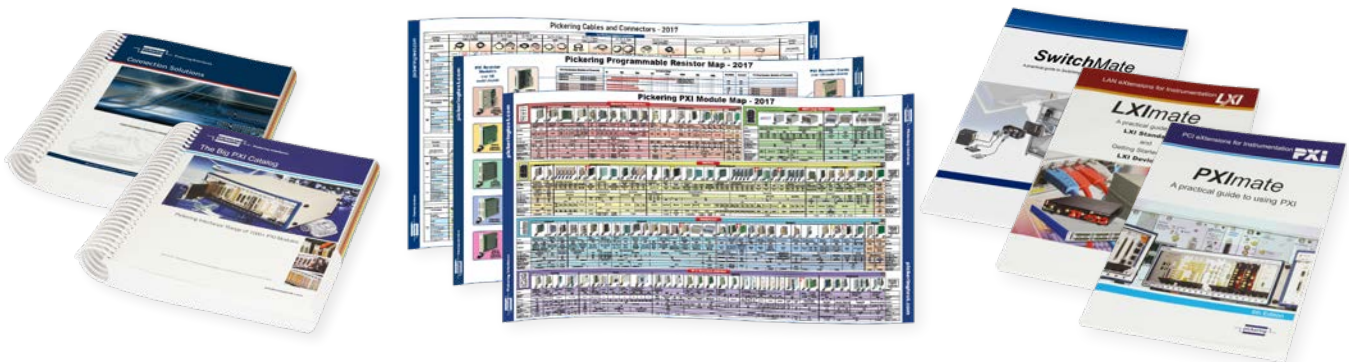
To learn more about software drivers and development environments, please go to: pickeringtest.com/software

Three Year Warranty

All standard products manufactured by Pickering Interfaces are warranted against defective materials and workmanship for a period of three years from the date of delivery to the original purchaser. Extended warranty and service agreements are available for all our modules and systems with various levels to suit your requirements. Although we offer a 3-year warranty as standard, we also include guaranteed long-term support—with a history of supporting our products for typically 15-20 years. To learn more, please go to: pickeringtest.com/support

Available Product Resources

We have a large library of product resources including success stories, product and support videos, articles, as well as complete product catalogs and product reference maps to assist when looking for the switching, simulation and cable and connector solutions you need. We have also published handy reference books on Switching Technology and for the PXI and LXI standards.



To view, download or request any of our product resources, please visit: pickeringtest.com/resources