

- Compatible With LXI Wired Trigger Bus
- Makes The WTB Accessible
- Provides a Thru Line Probe Function
- Easy Monitoring of Trigger Bus Activity
- Minimal Loading On The WTB
- Essential Tool For Testing WTB Integrity
- 3 Year Warranty



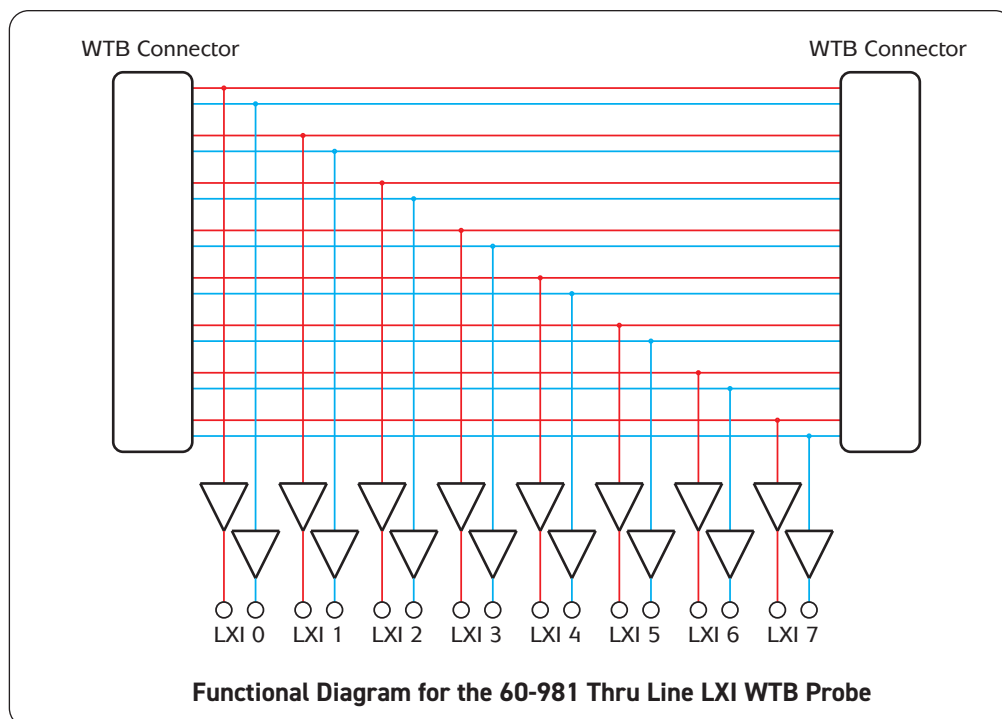
The 60-981 LXI Wired Trigger Probe provides a simple method of monitoring the LXI Wired Trigger Bus activity. It provides a through line active probe that can be used to non-intrusively monitor the waveforms of the M-LVDS drivers on all 8 channels. Each channel has two single ended outputs from the differential pair that can be subtracted by an oscilloscope to display each driver output and the differential signal.

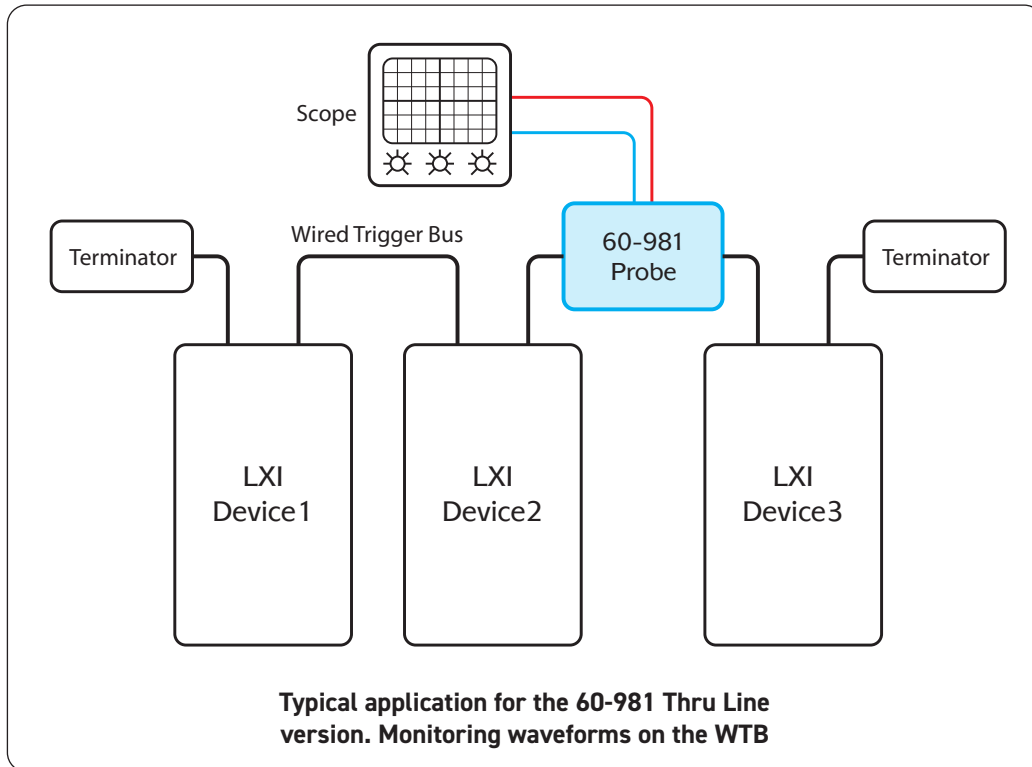
The use of high speed buffers ensures the outputs from the probe provide an accurate representation of the signals with minimal loading of the WTB transmission line. The through line tracks are accurately matched to the WTB cable impedance and exhibit minimal loss to the M-LVDS signalling.

The monitor outputs provide a 50Ω source impedance, DC coupled output with a source e.m.f. equal to the M-LVDS signal.

Applications for the 60-981 include the debugging of LXI systems with WTB capability and the testing of WTB cables for integrity or compliance to the LXI standard

The 60-981 probe operates from an external DC power source provided by the user.





## Specification

WTB Connectors:	25-pin micro-D connectors to LXI standard, mating to standard LXI WTB cables. Connectors are interchangeable (no input or output significance) on the thru line version, one connector only used on the terminated version.
Probe Outputs:	Output from positive and negative drives for each of the 8 channels, SMB connectors on each output (total of 16).
Gain:	Gain of the probe output is 1 into an open circuit load.
Impedance:	Source impedance of the probe outputs is nominally 50Ω DC coupled.
Probe Bandwidth:	>1GHz
WTB Connection:	Thru line version provides a thru connection of the WTB with 8 differential pairs. Probe buffer adds 1pF of additional capacitance, does not impact the number of nodes allowed on the WTB chain. Terminated version is internally terminated in accordance to the LXI specification and does not provide a thru line connection.
LXI Conformance:	The 60-981 is compatible with the LXI WTB standard and has been tested for use in this environment. The terminator on the terminated version is LXI conformant with the terminator specification.
Physical Size:	100mm long, 60mm wide, 30mm high.
Power Requirements:	+6V to +7V DC and -4V to -5V DC on three pin connector (external source required). Connecting lead supplied to banana style connectors.

## Operating/Storage Conditions

### Operating Conditions

Operating Temperature:	0°C to +40°C
Humidity:	Up to 95% non-condensing
Altitude:	5000m

### Storage and Transport Conditions

Storage Temperature:	-20°C to +75°C
Humidity:	Up to 95% non-condensing
Altitude:	15000m

## Safety & CE Compliance

All modules are fully CE compliant and meet applicable EU directives: Low-voltage safety EN61010-1:2010, EMC Immunity EN61326-1:2013, Emissions EN55011:2009+A1:2010.

## Product Order Codes

<b>LXI Wired Trigger Bus Probe, Thru, DC Coupled</b>	<b>60-981-001</b>
<b>LXI Wired Trigger Bus Probe, Terminated</b>	<b>60-981-002</b>

## Product Customization

Pickering LXI units are designed and manufactured on our own flexible manufacturing lines, giving complete product control and enabling simple customization to meet very specific requirements.

All customized products are given a unique part number, fully documented and may be ordered at any time in the future. Please contact your local sales office to discuss.

## Mating Connectors & Cabling

For connection accessories for the 60-981 please refer to the [90-011D](#) RF Cable Assemblies data sheet where a complete list and documentation can be found for accessories, or refer to the Connection Solutions catalog.