

- Converts LVTTTL to WTB Signals
- Converts WTB to LVTTTL Signals
- Supports all Modes of WTB Operation
- Manual or Remote Configuration
- Internally Terminated And Thru Line Versions
- Supports All 8 LXI WTB Channels
- Ideal Solution For Adapting non LXI Triggering to LXI
- 3 Year Warranty



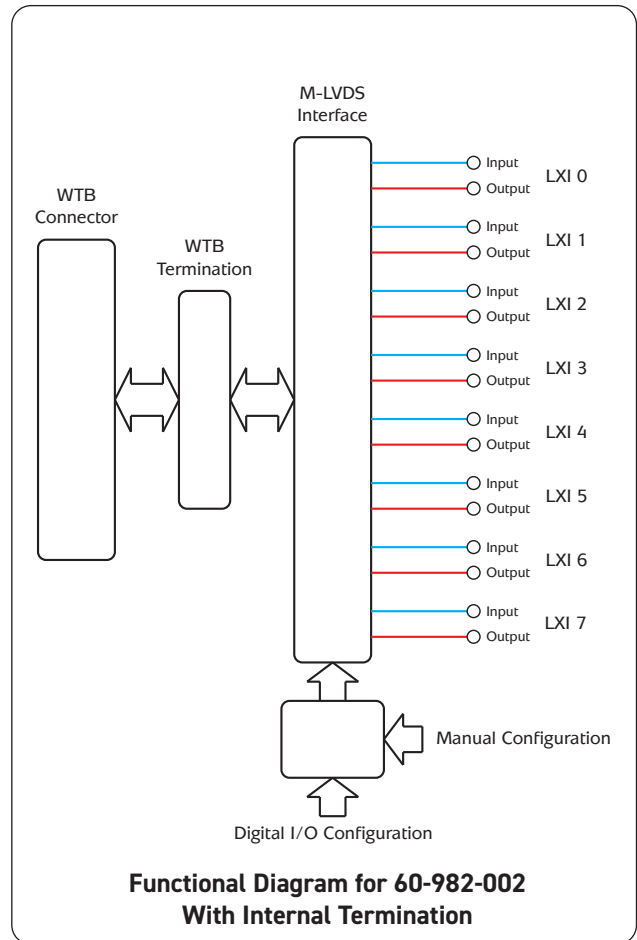
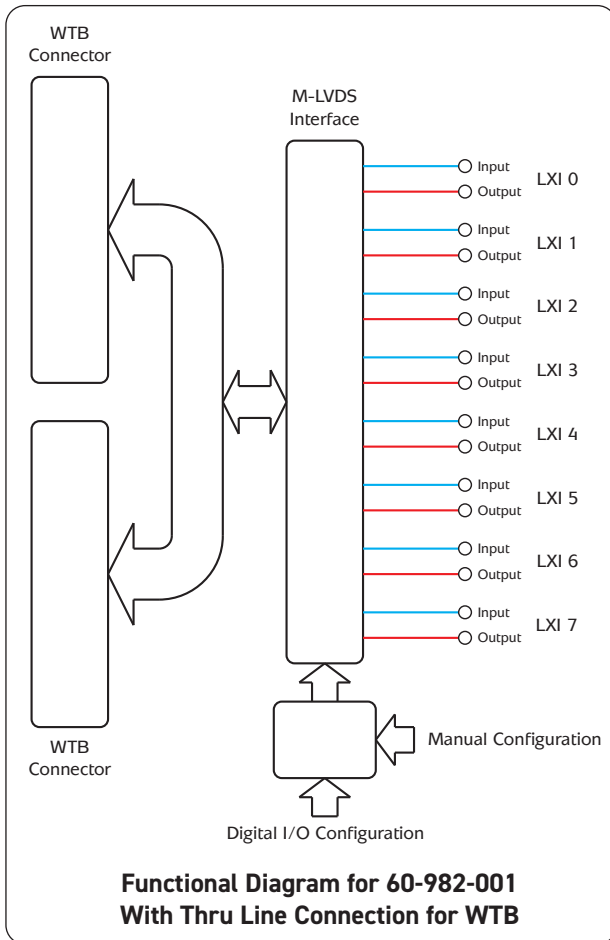
The 60-982 provides an effective method of adapting trigger signals from bench instruments to the LXI Wired Trigger Bus signalling standard. The 60-982 converts M-LVDS signals on the WTB to Low Voltage TTL signals and converts Low Voltage TTL signals to M-LVDS. All 8 channels of the LXI WTB are supported in a single adaptor.

Each channel of the WTB can be configured either manually or through a digital I/O to be Disabled, Driven or in Wired OR mode. The interface is fully compatible with the LXI WTB standard and counts as one node on the bus.

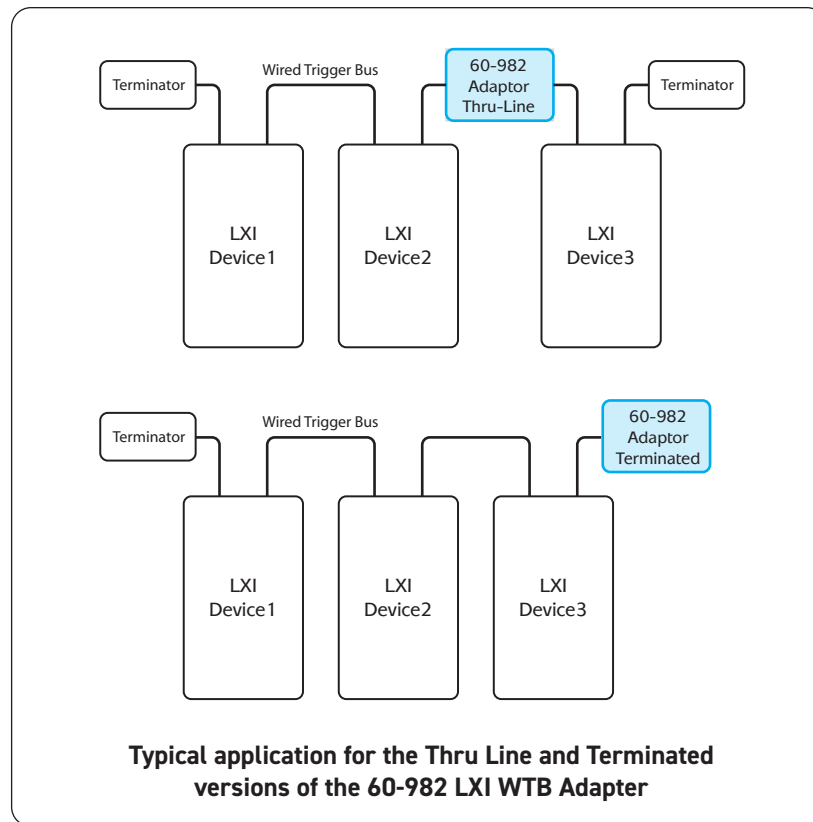
The adaptor is available in two versions, one having a thru line connection for the WTB and the second including a terminator.

The 60-982 is an ideal solution to integrating products with dedicated trigger facilities, such as oscilloscopes, spectrum analyzers or signal generators, into LXI systems using the WTB.

Power for the 60-982 is provided by an external AC/DC adaptor or DC power supply.



ISSUE 4.3 APR 2018



Specification

LXI WTB Connectors:	25-pin micro-D connectors conformant to LXI standard. 60-982-001 uses one connector. 60-982-002 uses two connectors with thru line connections to match to WTB.
LXI WTB Termination:	Included in 60-982-001 conformant to LXI Standard. WTB must be externally terminated for 60-982-002.
I/O Signals:	Inputs and outputs on SMB connectors. LVTTTL (3.3V) signal levels.
Input impedance:	10kΩ nominal
Output impedance:	50Ω nominal
Minimum load impedance:	50Ω
Minimum recommended pulse width	10ns.
LXI WTB Loading	Equivalent to the load of one LXI Device.
LXI WTB Mode:	Each channel selectable to be Disabled, Driven, or Wired OR through manual configuration with DIP switches. Can be remotely controlled through digital I/O port on 25-pin connector.
Power Requirements:	Requires 6V DC at 500mA. Supplied with universal AC/DC Adaptor, 500 mA complete with UK, USA and European supply adaptors.
Physical Size:	100mm long 84mm wide 30mm high

Operating/Storage Conditions

Operating Conditions

Operating Temperature:	0°C to +40°C
Humidity:	Up to 95% non-condensing
Altitude:	5000m

Storage and Transport Conditions

Storage Temperature:	-20°C to +75°C
Humidity:	Up to 95% non-condensing
Altitude:	15000m

Safety & CE Compliance

All modules are fully CE compliant and meet applicable EU directives: Low-voltage safety EN61010-1:2010, EMC Immunity EN61326-1:2013, Emissions EN55011:2009+A1:2010.

Product Order Codes

LXI WTB Adaptor, Thru Line	60-982-001
LXI WTB Adaptor, Terminated	60-982-002

Product Customization

Pickering LXI units are designed and manufactured on our own flexible manufacturing lines, giving complete product control and enabling simple customization to meet very specific requirements.

All customized products are given a unique part number, fully documented and may be ordered at any time in the future. Please contact your local sales office to discuss.

Mating Connectors & Cabling

For connection accessories for the 60-982 please refer to the [90-011D](#) RF Cable Assemblies data sheet where a complete list and documentation can be found for accessories, or refer to the Connection Solutions catalog.