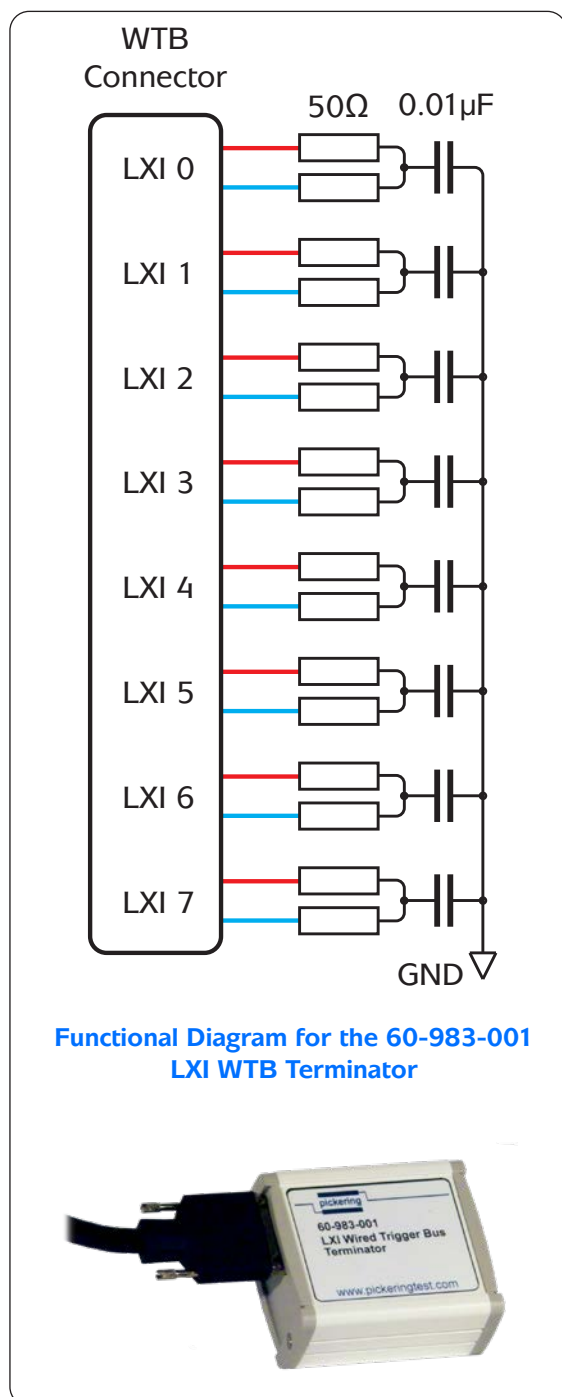


- Terminate LXI Wired Trigger Bus Cables
- Accurate Transmission Line Match
- Easily Accessed on Cable Ends
- Compatible With LXI Specification
- 3 Year Warranty



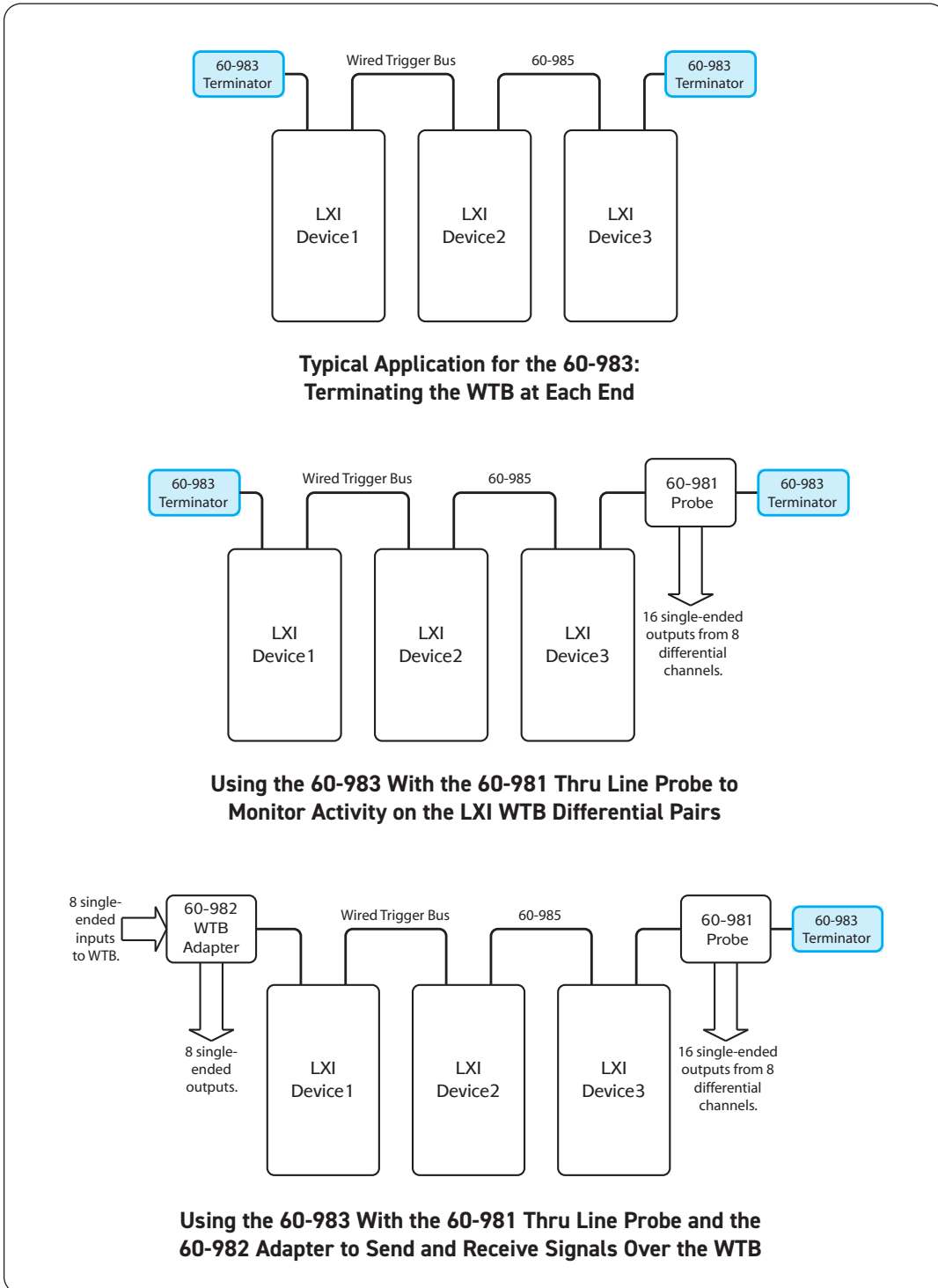
The 60-983 is an LXI compatible Wired Trigger Bus Terminator (WTB) designed to be attached to the end of a WTB cable.

The LXI WTB uses a transmission line cable to connect LXI devices together that support the WTB capability of the LXI standard. Like all transmissions it needs to be correctly terminated to avoid reflections that could change the signal amplitude along the cable and generate timing jitter or trigger errors. The 60-983 is a simple terminator that can be placed at each end of the WTB chain to correctly terminate the transmission line with minimal reflections.

Termination of the transmission is simple, a WTB cable is attached to the LXI Device WTB bus connector and the other end is terminated with the 60-983. The use of an intermediary cable ensures that access to the terminator is easy even when the LXI system has a mixture of units with variable depths.

The 60-983 can be used in association with the 60-981 WTB probe or the 60-982 WTB adaptor. It is LXI conformant.

The 60-983 terminator is also available in versions with different termination impedances. They can be used as an impedance reference for making TDR measurements on cable assemblies.



Specification

Number of Channels:	8
Termination Characteristics:	100Ω Differential load, centre tap capacitor to ground. Also available in 90.6Ω and 109.8Ω versions (not LXI conformant).
Power Requirements:	None, passive device.
Connector:	25-pin micro-D connectors to LXI standard.
Physical Size:	70mm long 60mm wide 30mm high
LXI Conformance:	100Ω version is conformant with the LXI WTB Standard

Product Order Codes

LXI Wired Trigger Bus Terminator, 100Ω	60-983-001
LXI Wired Trigger Bus Terminator, 90.6Ω	60-983-002
LXI Wired Trigger Bus Terminator, 109.8Ω	60-983-003

Product Customization

Pickering LXI units are designed and manufactured on our own flexible manufacturing lines, giving complete product control and enabling simple customization to meet very specific requirements.

All customized products are given a unique part number, fully documented and may be ordered at any time in the future. Please contact your local sales office to discuss.

Operating/Storage Conditions

Operating Conditions

Operating Temperature:	0°C to +55°C
Humidity:	Up to 95% non-condensing
Altitude:	5000m

Storage and Transport Conditions

Storage Temperature:	-20°C to +75°C
Humidity:	Up to 95% non-condensing
Altitude:	15000m

Safety & CE Compliance

All modules are fully CE compliant and meet applicable EU directives: Low-voltage safety EN61010-1:2010, EMC Immunity EN61326-1:2013, Emissions EN55011:2009+A1:2010.