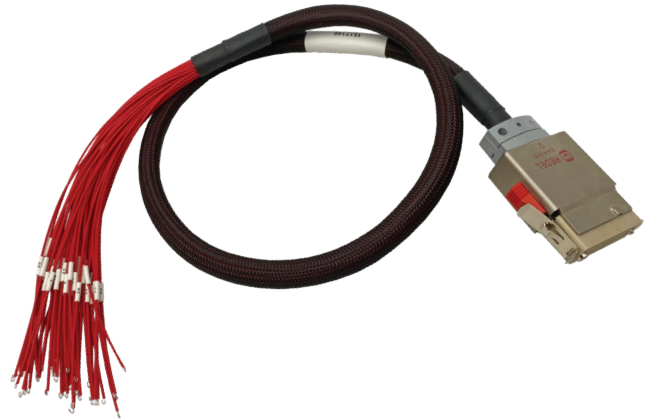
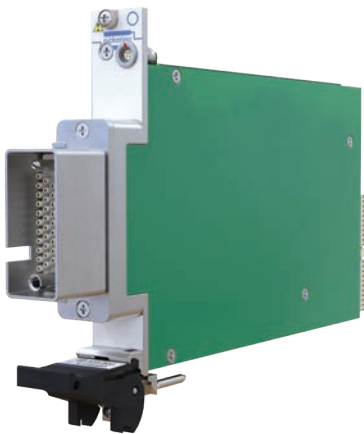


- Cable Assemblies
- Robust Construction
- 3 Year Warranty




Simple Connection

Pickering connection solutions provide a simple way of connecting to a user's device under test or remote connection. The products in this data sheet include connector to unterminated cable assemblies with ferrules or a simple cut end.



Examples of Pickering PXI and LXI Products using 51-Pin High Voltage REDEL Connectors

Cable Assemblies

Description		End 1	End 2		Cable Length	Product Order Code and Part Number	Data Sheet Page
		Gender & Cable Exit	Gender & Cable Exit	Options			
	Cable Assy, 51-Pin High Voltage REDEL to Unterminated.	Male, Rear Cable Exit, Latch Clips	NA	Ferrules	2m	A051KMR-F-HA200	3
				Cut End	1m	A051KMR-C-HA100	

Please click on the page number to navigate to the data sheet page required. Return to this page via the **C** button.

PRELIMINARY DATA

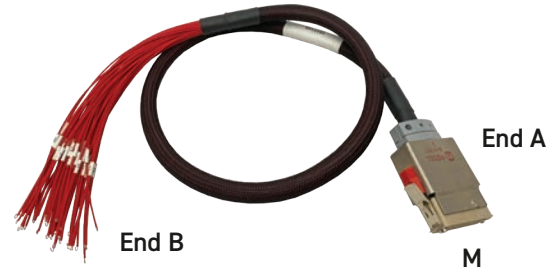
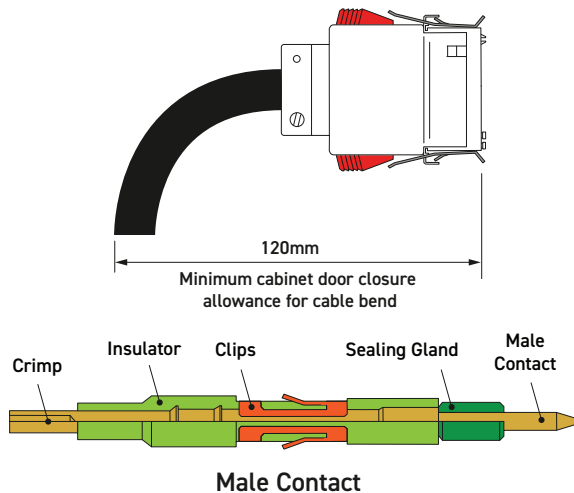
- High Voltage Cable Assembly
- High Specification, Highly Flexible Cable
- Fully Screened Cable Construction with Strain Relief
- Fully Tested

This series of high voltage cables utilize rectangular connectors and are ideal for use in size restricted areas.

Technical Specification

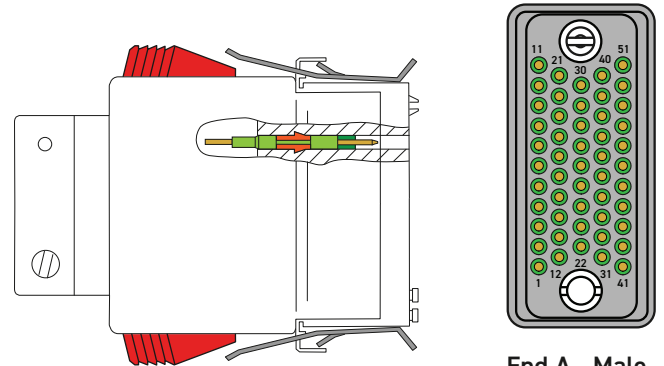
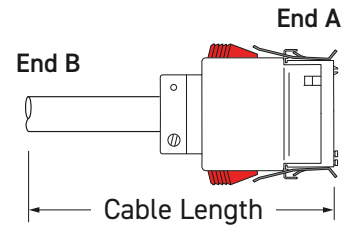
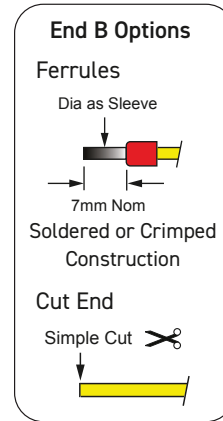
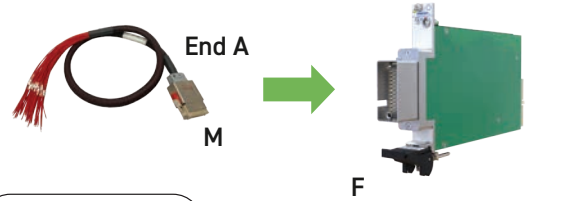
Connector Type (End A):	51-Pin High Voltage REDEL
Gender	Male
Alignment Key	Code A
Securing Method	Latch clips
Unterminated End (End B):	
Wire End Options	Ferrules or Cut End
Free Wire Length	130mm nominal
Individual Wire Labelling	To connector pins. A white/black screen pigtail is included
Maximum Current	0.25A
Maximum Voltage	9kV
Connector:	
Contact Material	Brass
Contact Resistance	<8mOhm
Cable Exit	Rear
Overall Size (Approx)	H53 x W19.6 x D75.5mm
Cable Type:	
Conductor: Material	Silver plated copper wire
Strands	19/38 (26AWG)
Insulation	FEP
Outer Sleeve	Polyester
Screened Construction	Yes (Cable screen connected to backshell)
Additional Braided Sleeve	Yes
Cable O/D	13mm
Minimum Bend Radius	30mm
Door Closure Allowance	120mm (see diagram)

Note: A dimensioned drawing of the connector can be found on the following page.



51-Pin REDEL Cable Assy - Male to Unterminated

Product Compatibility



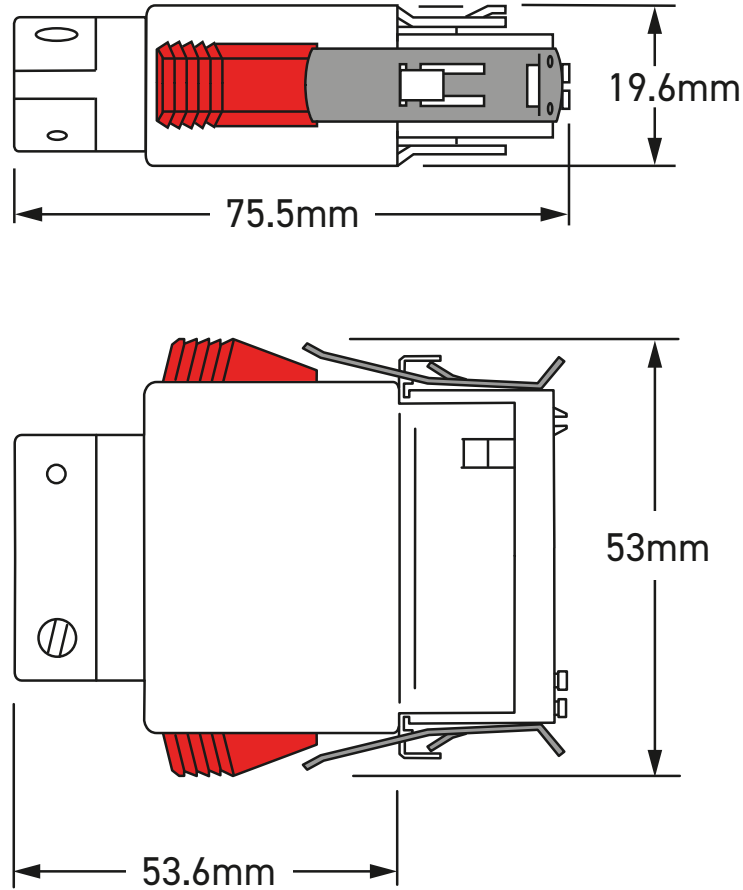
Connector Section Showing Male Contact

End A - Male Mating Face

Product Order Codes

51-Pin High Voltage REDEL Cable Assy, 0.25A, Male to Unterminated, Ferrules, 2.0m Long	A051KMR-F-HA200
Cut End, 1.0m Long	A051KMR-C-HA100

51-Pin REDEL Connector



Connector Dimensions

PRELIMINARY DATA